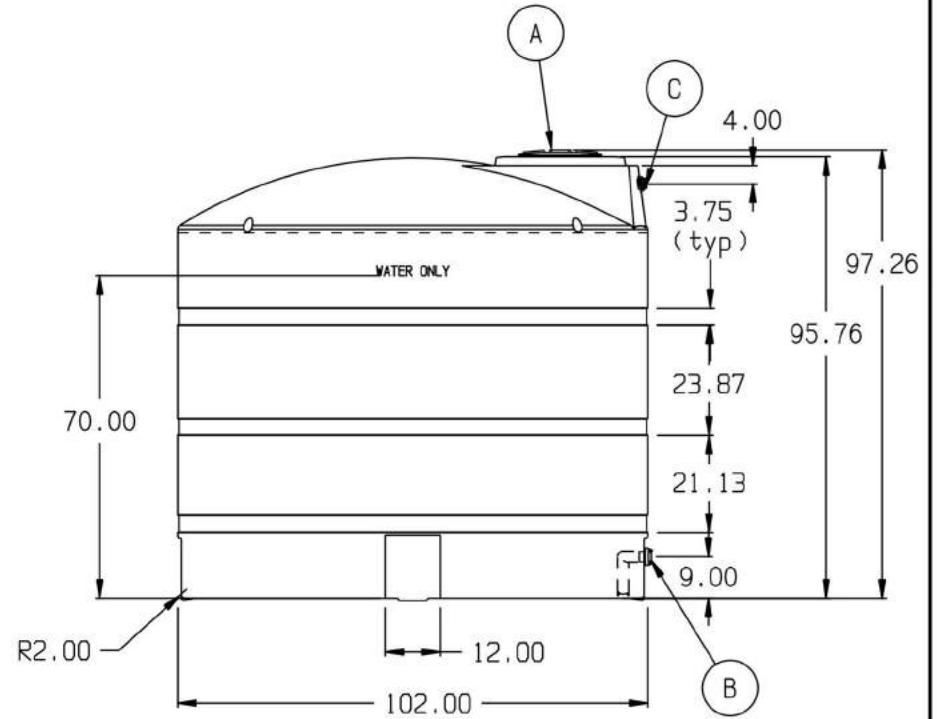
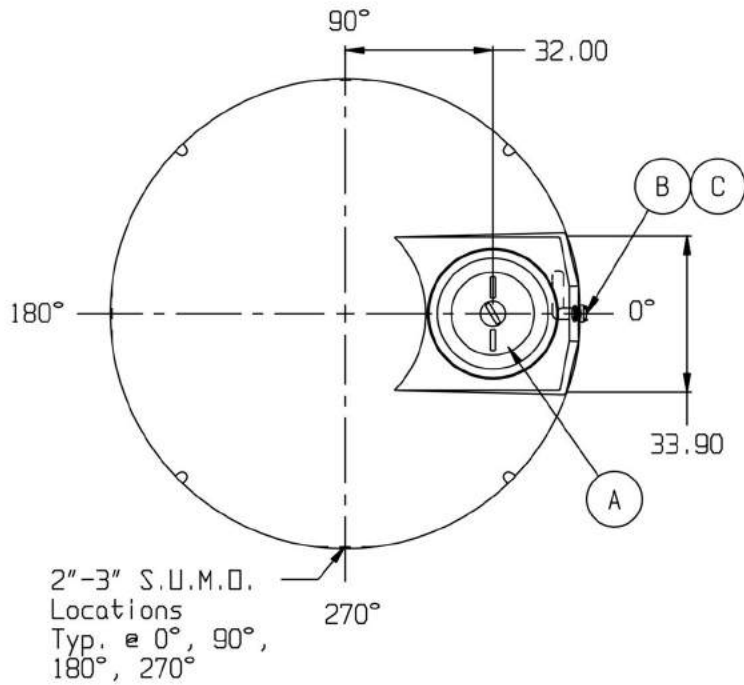


WATER



- A. 18" PE THREADED-VENTED MANWAY W/15" ACCESS
- B. 2" PP DBL FLANGED BOLTED LONG SIPHON TUBE ASSY W/EPDM GASKETS & SS BOLTS
- C. 1-1/2" PP SII THREADED BH FTG W/EPDM GASKET

* BASE FITTINGS TO BE LEFT INSTALLED AT TIME OF SHIPMENT PER SII PROCEDURE
 * Consult Snyder's Guidelines for Use and Installation prior to delivery.
 Available on-line at www.snydernet.com

(all dimensions in inches)

PART # TANK: HOLPE/BLK & GDD/WATER

3,000 GALLON BLACK & DARK OLIVE GREEN WATER TANK

REF#: 00000

04/04/07

VWS3000

(866) 776-8265

PROTANK

sales@protank.com