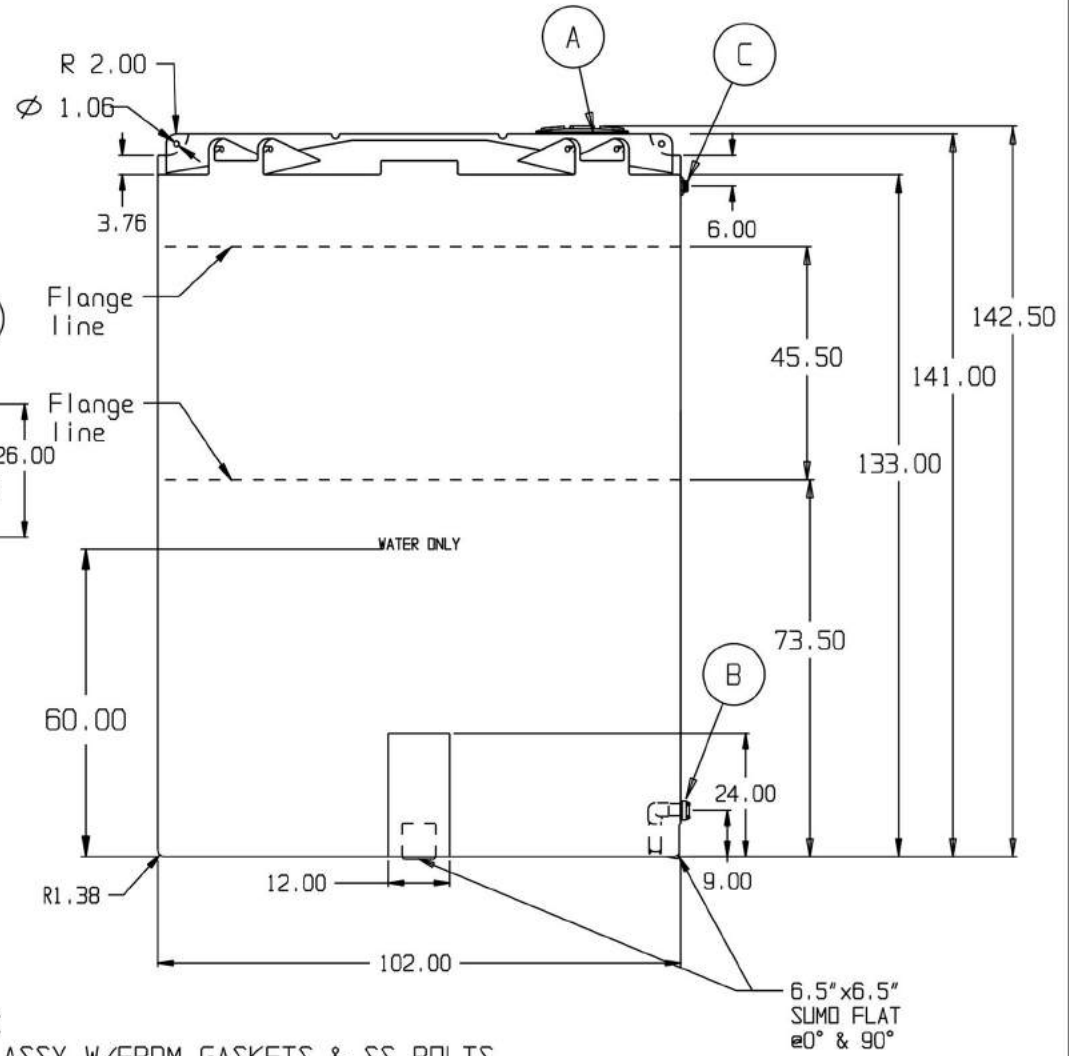
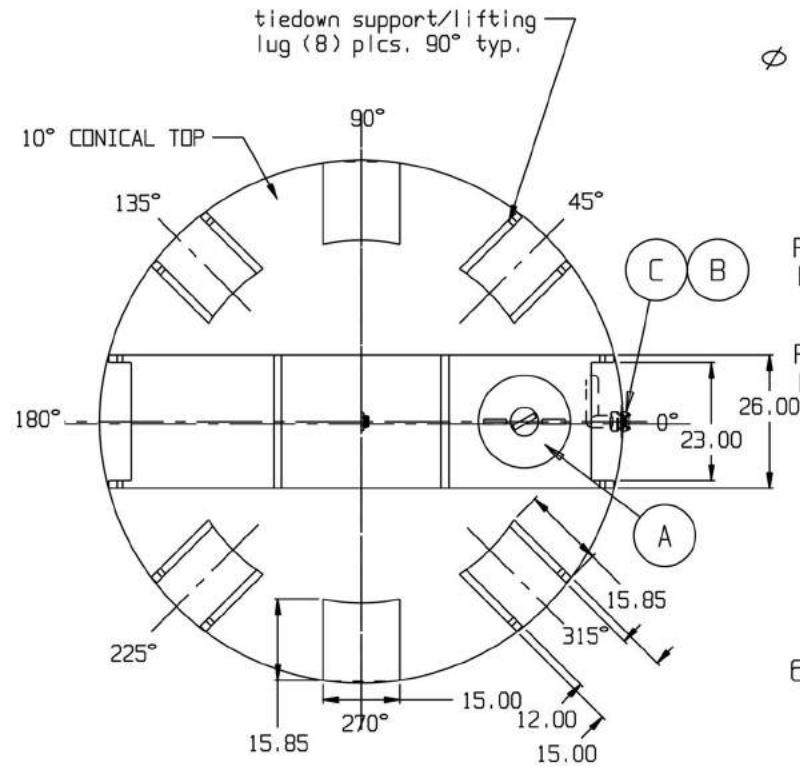


WATER



- A. 18" PE THREADED-VENTED MANWAY W/15" ACCESS
- B. 2" PP DBL FLANGED BOLTED LONG SIPHON TUBE ASSY W/EPDM GASKETS & SS BOLTS
- C. 1-1/2" PP T x T BH BANJO FTG W/EPDM GASKET

* BASE FITTINGS TO BE LEFT INSTALLED AT TIME OF SHIPMENT PER SII PROCEDURE
 * Consult Snyder's Guidelines for Use and Installation prior to delivery.
 Available on-line at www.snydernet.com

(all dimensions in inches)

PART # TANK: HOLPE/BLK & GOD/WATER
 REF#: 00000 04/04/07

4,500 GALLON FLAT BOTTOM TANK

VWS4700

(866) 776-8265

PROTANK

sales@protank.com