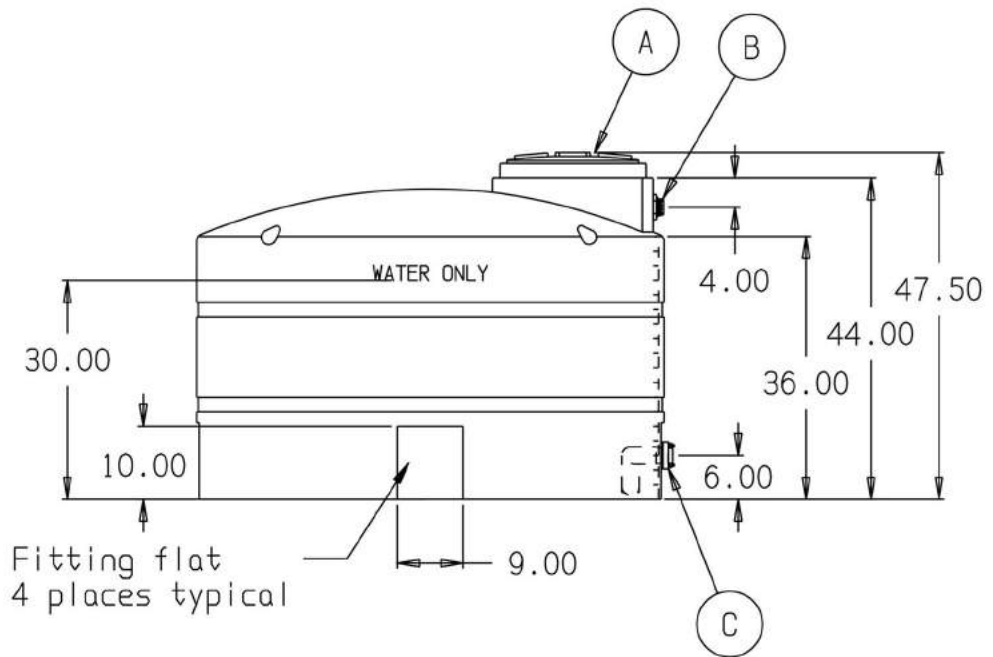
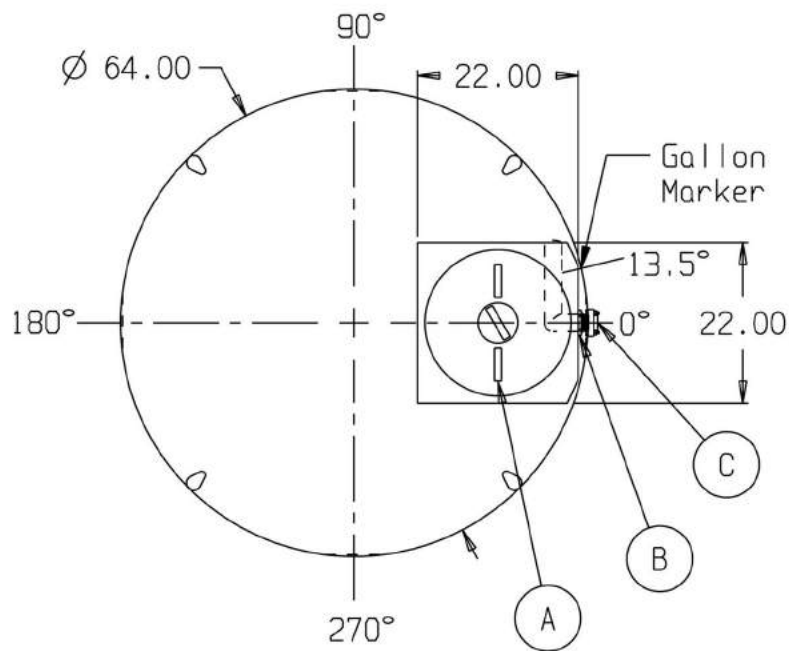


WATER



Fitting flat  
4 places typical

A. 18" PE THREADED-VENTED MANWAY W/15" ACCESS

B. 1-1/2" PP TxT BH BANJO FTG W/EPDM GASKET

C. 2" PP DBL FLANGED BOLTED LONG SIPHON TUBE ASSY W/EPDM GASKETS & SS BOLTS

\* BASE FITTINGS TO BE LEFT INSTALLED AT TIME OF SHIPMENT PER SII PROCEDURE  
\* Consult Snyder's Guidelines for Use and Installation prior to delivery.  
Available on-line at [www.snydernet.com](http://www.snydernet.com)

(all dimensions in inches)

PART # TANK:

550 GALLON BLACK AND DARK OLIVE GREEN WATER TANK

REF#: 00000

04/03/07

VWS550-64

(866) 776-8265

PROTANK

sales@protank.com