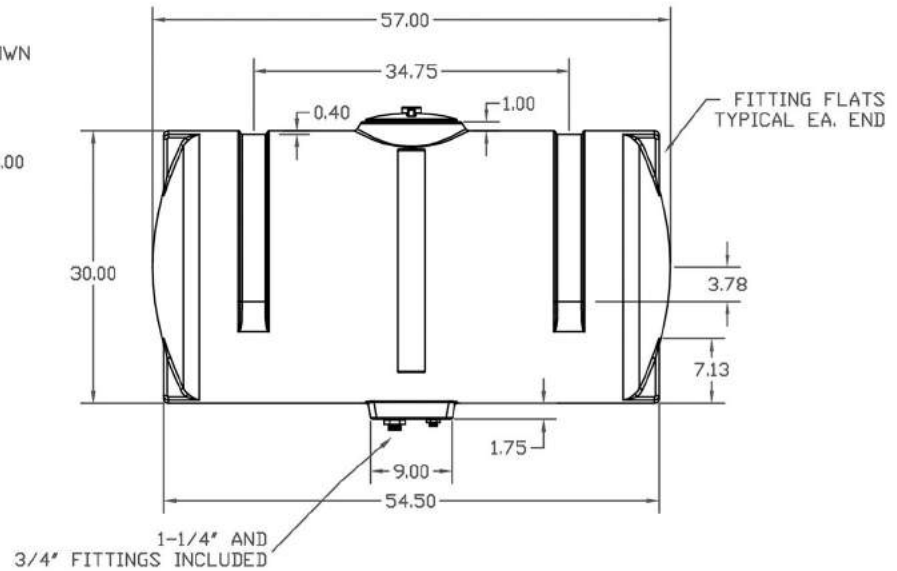
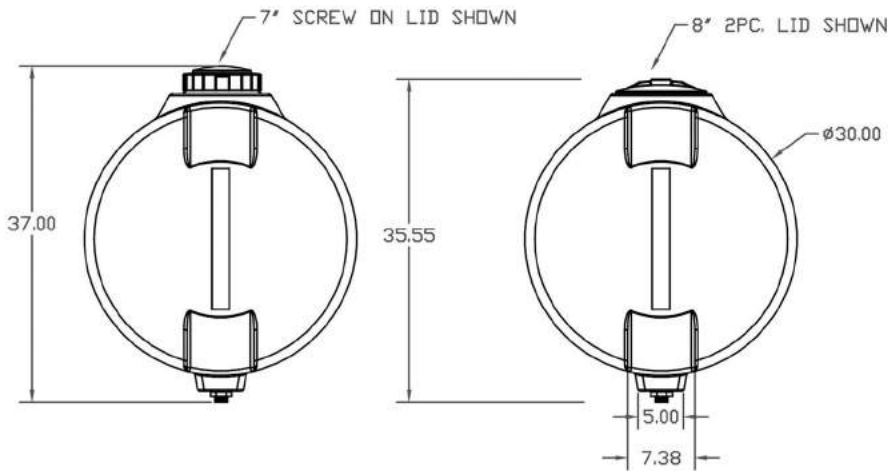
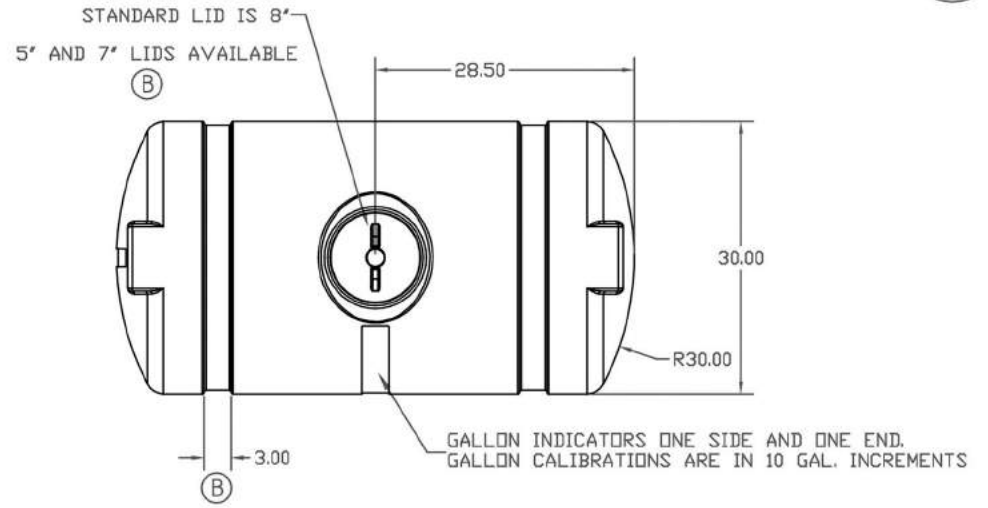
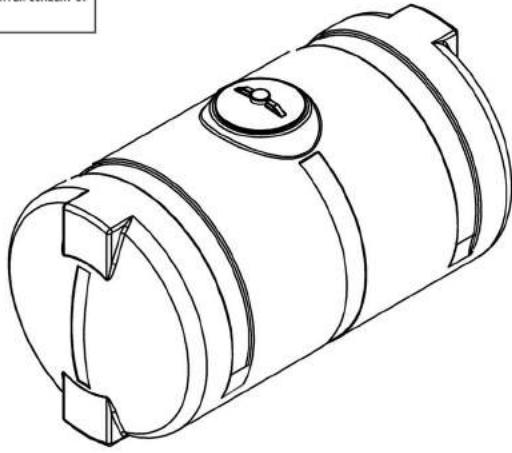


© DEN HARTOG INDUSTRIES, INC.

Copyright. All information furnished within this document, electronic file or design correspondence is the property of Den Hartog Industries, Inc. and shall not be used, disclosed to others or copied without the expressed written consent of Den Hartog Industries, Inc.

B



B	7" LID OPTION ADDED	2/9/09	REH	1774	DRAWN / DATE	MATERIAL	HDPE OR EQUIVALENT REFERENCE MATERIAL DATA SHEET FOR SPECIFIC PROPERTIES.	
B	BAND RECESS WAS 5-1/4"	1/5/09	REH	1774	REH/ 9/14/01			
A	UPDATED DIMENSIONS	7/13/06	NVE		APPRD. / DATE	CLIENT / DESCRIPTION	ACE 150 GALLON HORIZONTAL TANK (30" DIA.)	
REV	DESCRIPTION	DATE	APPRD	CCN	DHJ/9/14/01			
ALL DIMENSIONS ARE IN DECIMAL INCHES TOLERANCES UNLESS OTHERWISE SPECIFIED					THIRD ANGLE PROJECTION ANSI 14.5M		NOTES: 1. NOM. WALL @ .210 2. SHOT WEIGHT 48 LBS.	
+ 1% @ 68° F							SCALE	PART NO.
							N.S.	

APA150S

(866) 776-8265

PROTANK

sales@protank.com