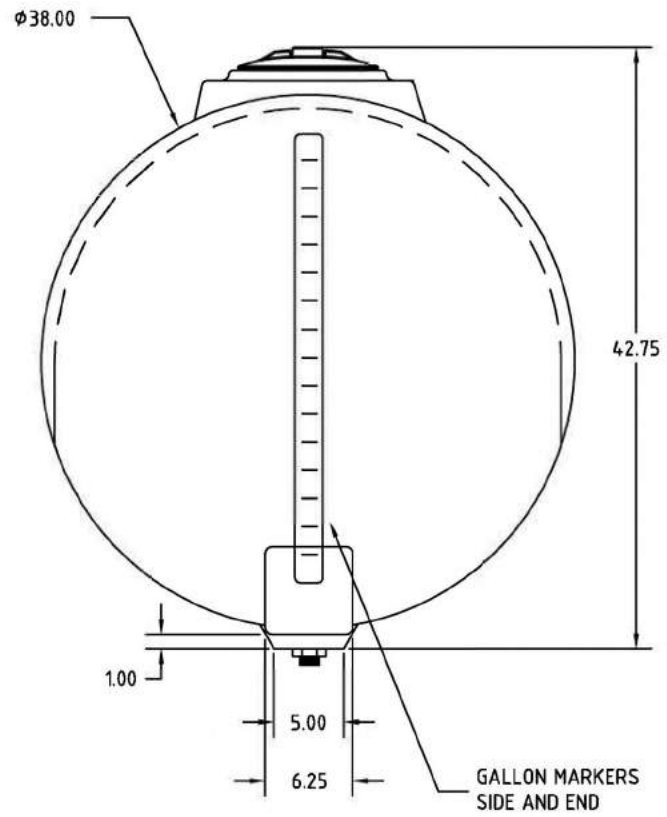
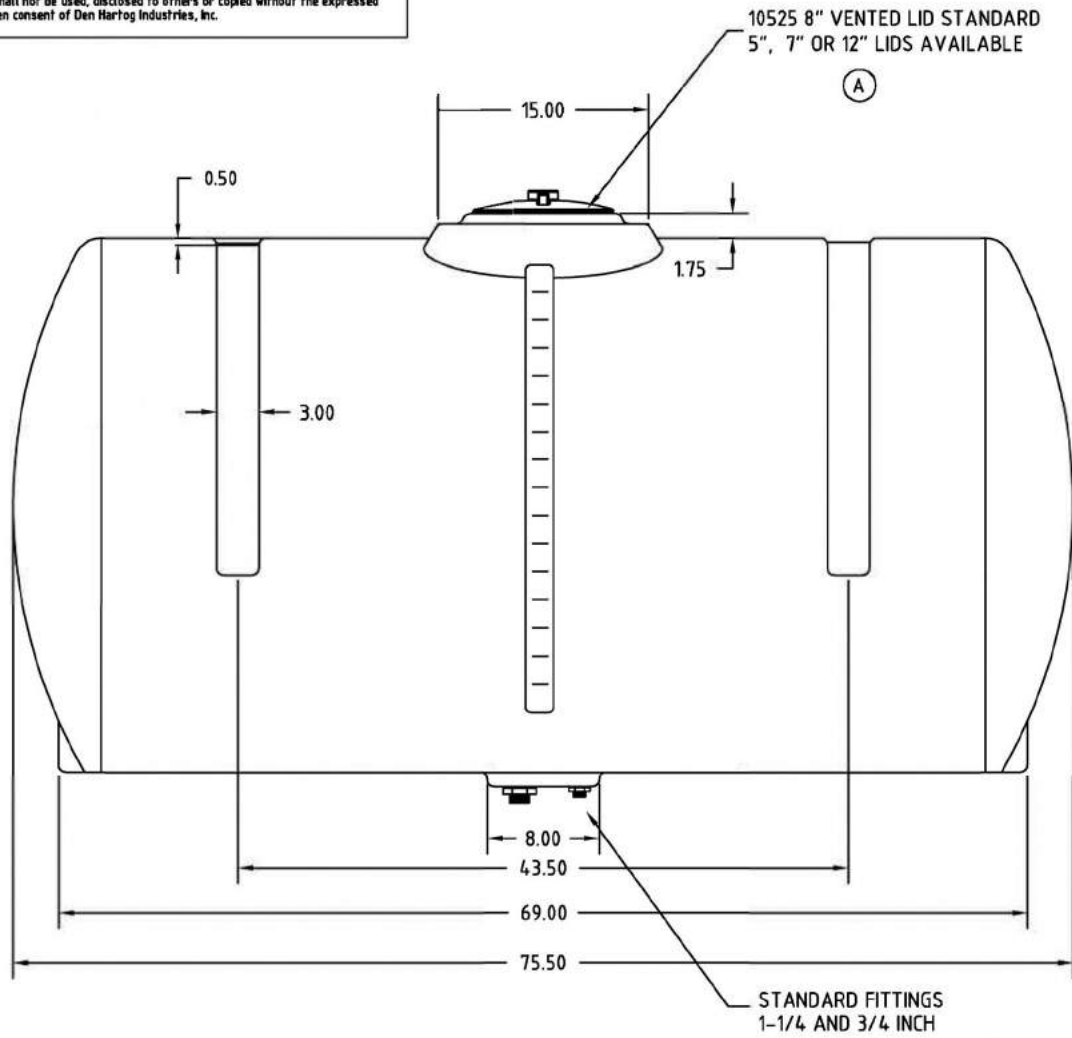


Copyright. All information furnished within this document, electronic file or design correspondence is the property of Den Hartog Industries, Inc. and shall not be used, disclosed to others or copied without the expressed written consent of Den Hartog Industries, Inc.



STANDARD FITTINGS
1-1/4 AND 3/4 INCH

				DRAWN / DATE NVE 6/6/05	MATERIAL	
A	LID OPTIONS ADDED	REH 4/9/12	2405	APPRD. / DATE DHJ 6/21/05		
REV	DESCRIPTION	BY / DATE	CCN			
ALL DIMENSIONS ARE IN DECIMAL INCHES TOLERANCES UNLESS OTHERWISE SPECIFIED		THIRD ANGLE PROJECTION ANSI 14.5M		SHOT WEIGHT: 88 LBS.	NOTES: 1. NOM. WALL @ .245	DESCRIPTION 300 GALLON HORIZONTAL TANK
POLYETHYLENE		METAL DECIMAL ± .125" FRACTION ± 1/4" ANGLE ± 1°		SHIPPING WEIGHT: 90 LBS.		SCALE N.S.
±1% @ 68° F				FINISH:		