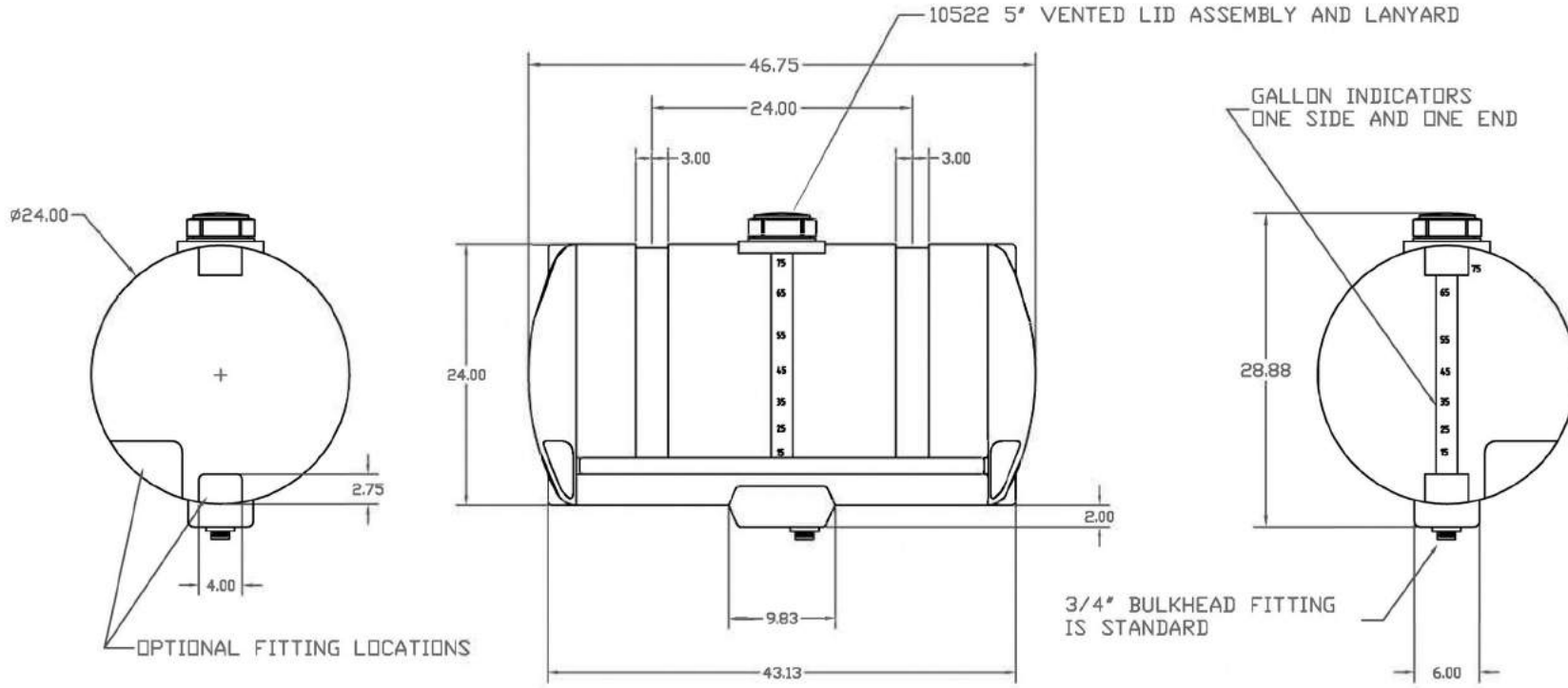


Copyright. All information furnished within this document, electronic file or design correspondence is the property of Den Hartog Industries, Inc. and shall not be used, disclosed to others or copied without the expressed written consent of Den Hartog Industries, Inc.



C	31 LBS WAS 30 LBS, PRINT TEMPLATE UPDATED	ADH 8/26/09	1917	DRAWN / DATE REH 5/10/05	MATERIAL	DESCRIPTION 75 GALLON HORIZONTAL TANK
B	UPDATE FITTING	9/6/06		APPRD. / DATE REH 5/10/05	HDPE OR EQUIVALENT REFERENCE MATERIAL DATA SHEET FOR SPECIFIC PROPERTIES.	
A	CHANGE FITTING TO 3/4	4/18/06				
REV	DESCRIPTION	BY / DATE	CCN			
ALL DIMENSIONS ARE IN DECIMAL INCHES TOLERANCES UNLESS OTHERWISE SPECIFIED		THIRD ANGLE PROJECTION ANSI 14.5M		SHOT WEIGHT: © 31 LBS.	NOTES:	SCALE N.S.
POLYETHYLENE		METAL		SHIPPING WEIGHT:	1.) .188 NOM. WALL	PART NO.
±1% @ 68° F		DECIMAL ± .125" FRACTION ± 1/4" ANGLE ± 1°		FINISH:		