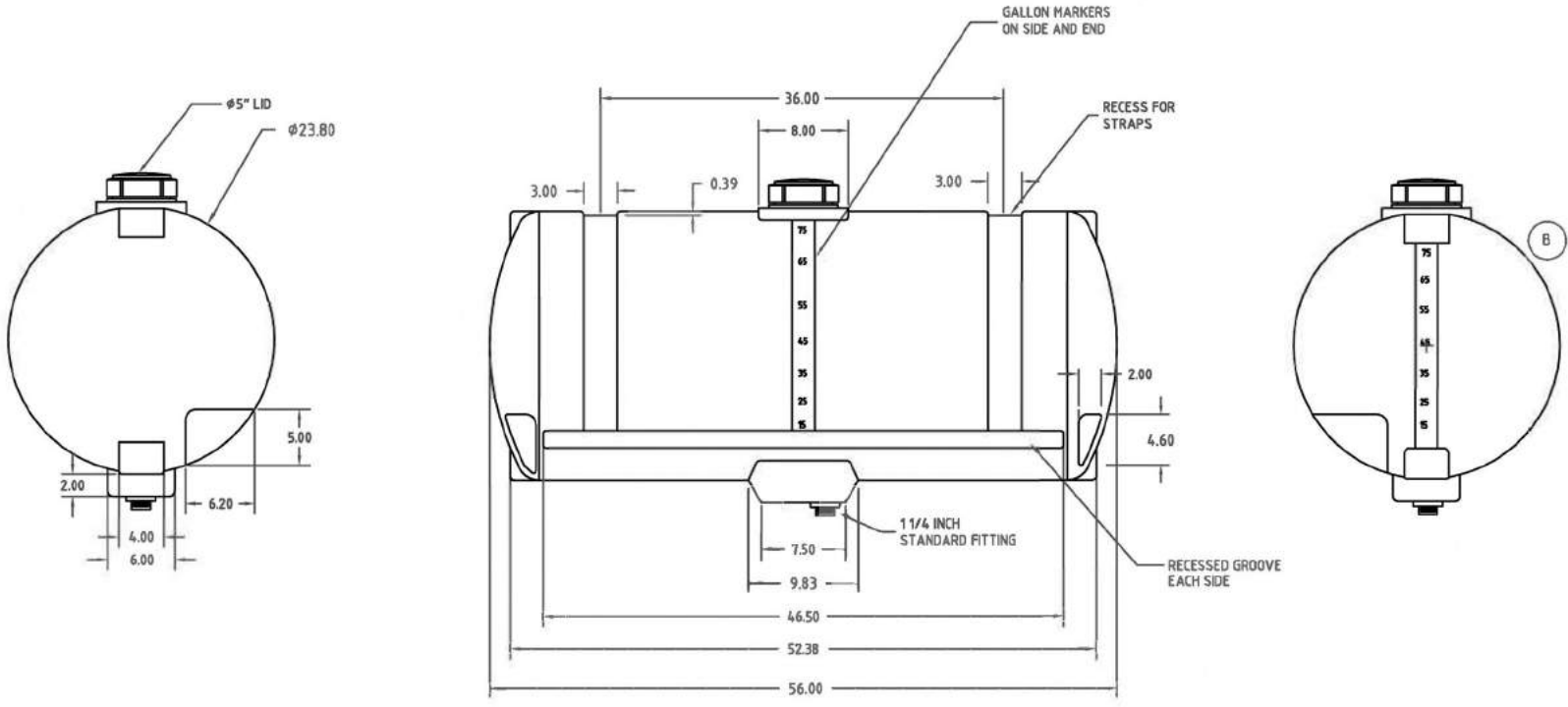


Copyright. All information furnished within this document, electronic file or design correspondence is the property of Den Hartog Industries, Inc. and shall not be used, disclosed to others or copied without the expressed written consent of Den Hartog Industries, Inc.



				DRAWN / DATE NVE 6/9/05	MATERIAL 10420		
B	GALLON MARKER LOCATION	REH 3/8/11	2184	APPRD. / DATE DHJ 6/21/05			
A	FITTING UPDATED	9/6/06					
REV	DESCRIPTION	BY / DATE	CCN				
ALL DIMENSIONS ARE IN DECIMAL INCHES TOLERANCES UNLESS OTHERWISE SPECIFIED		THIRD ANGLE PROJECTION ANSI 14.5M		SHOT WEIGHT: 35 LB.	NOTES: 1. NOM. WALL @ .200	DESCRIPTION 95 GALLON HORIZONTAL TANK	
POLYETHYLENE ±1% @ 68° F		METAL DECIMAL ± .125" FRACTION ± 1/4" ANGLE ± 1°		SHIPPING WEIGHT: 37 LB.		SCALE N.S.	PART NO.
				FINISH:			