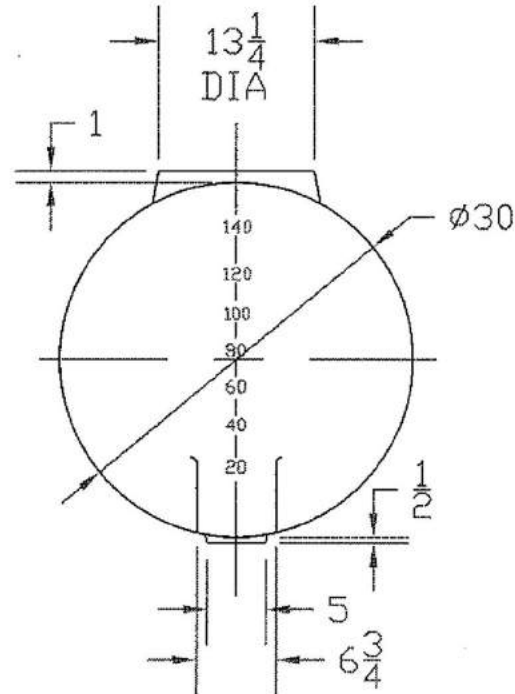
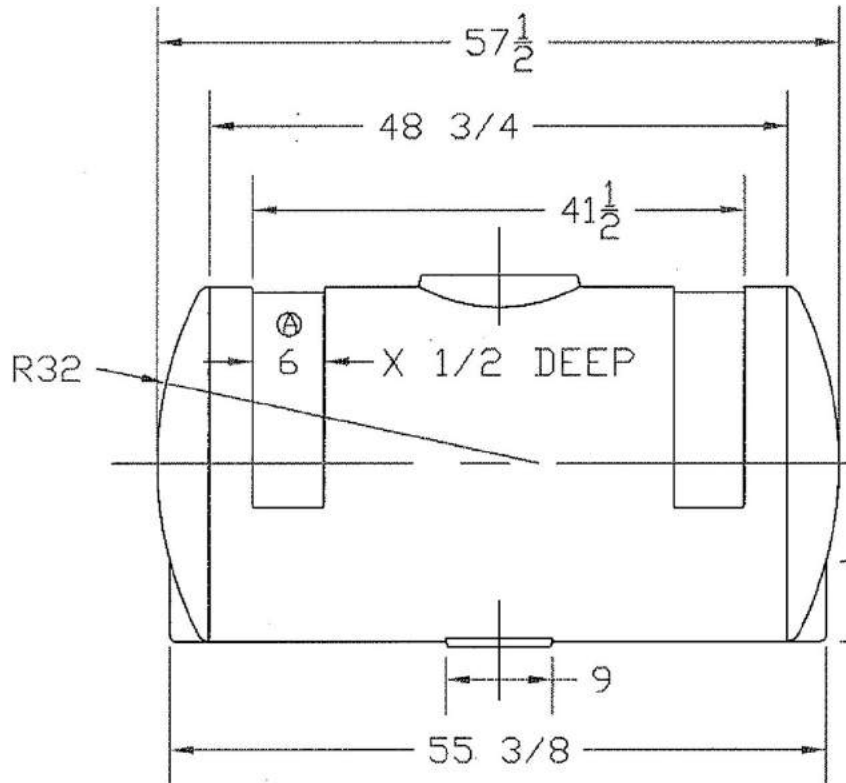


8 1/4 ACME THD,
RH, FOR 60002 LID



- 26 1/4
- 22 1/4
- 18 1/4
- 15 1/4
- 12 1/4
- 9 1/4
- 5 1/4
- 0

REVISIONS				
ZONE	REV	DESCRIPTION	DATE	APPROVED
	A	WAS 3	02SEP04	

		150 GALLON X 30 DIAMETER APPLICATOR TANK		
JTP	15SEP94	SIZE A	FSCM NO.	DWG NO.
		SCALE 1/16	SHEET	