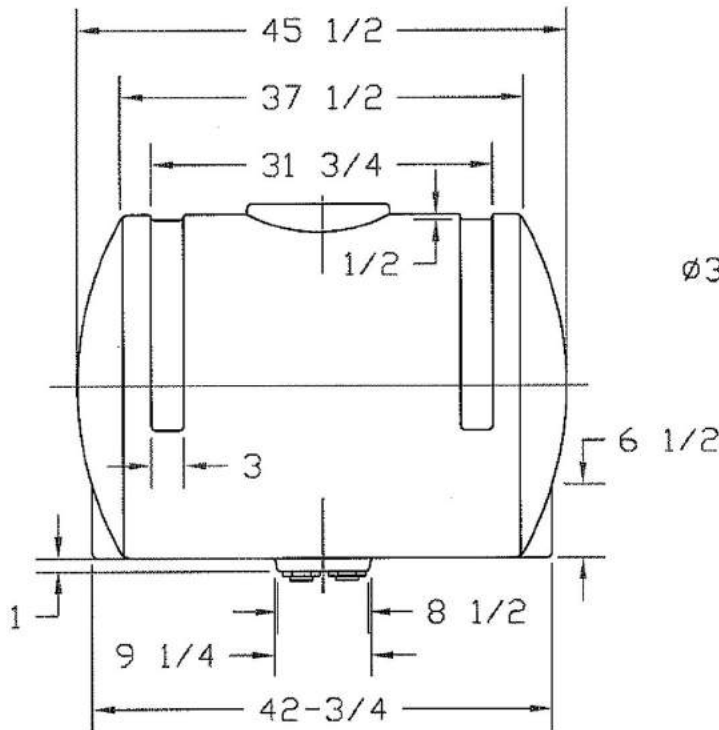
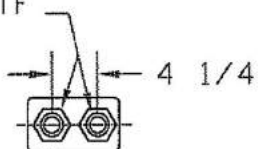


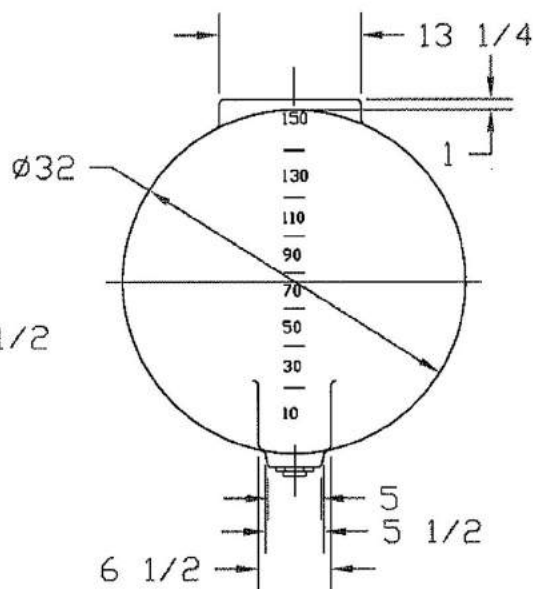
8 1/4 ACME THD,
RH, FOR 60002 LID



1-1/4" NPTF



REVISIONS				
ZONE	REV	DESCRIPTION	DATE	APPROVED
	A	FITTINGS UPDATED	08NOV02	



- _____ 31 1/4
- _____ 28 1/4
- _____ 25 29/32
- _____ 23 7/8
- _____ 22
- _____ 20 1/4
- _____ 18 17/32
- _____ 16 27/32
- _____ 15 5/32
- _____ 13 15/32
- _____ 11 3/4
- _____ 10
- _____ 8 1/8
- _____ 6 3/32
- _____ 3 3/4
- _____ 0

150 GALLON X 32 DIA
APPLICATOR TANK

JTP 30MAY95

SIZE A	FSCM NO.	DWG NO.	REV A
-----------	----------	---------	----------

SCALE 1/16

SHEET