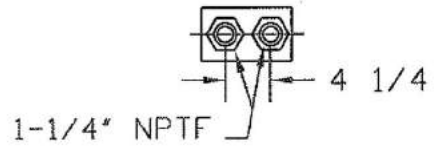
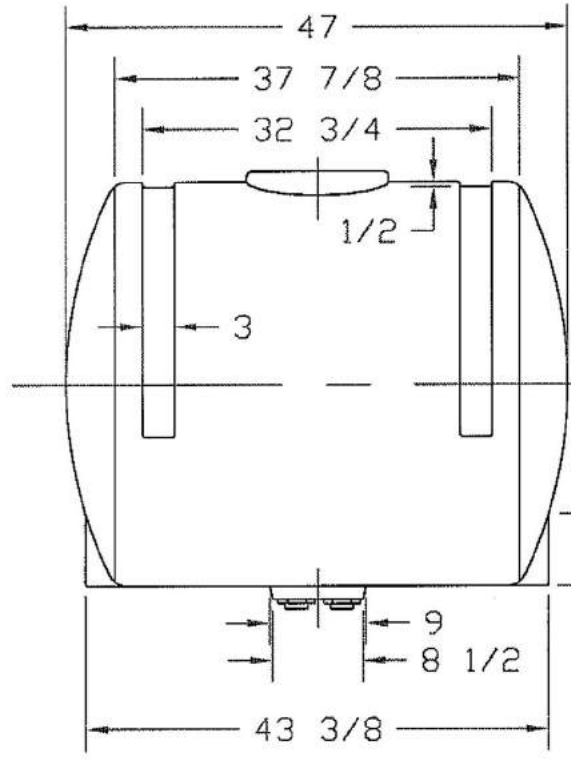
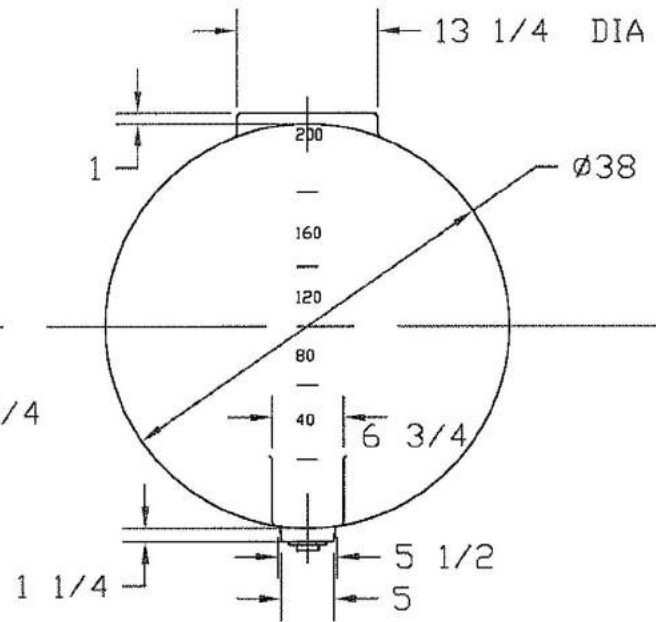


8 1/4 ACME THD,  
RH, FOR 60002 LID



REVISIONS				
ZONE	REV	DESCRIPTION	DATE	APPROVED
	A	FITTINGS UPDATED	09DEC02	



- 37
- 31 9/16
- 27 13/16
- 24 5/8
- 21 3/4
- 19
- 16 1/4
- 13 3/8
- 10 3/16
- 6 7/16
- 0

200 GALLON X 38 DIA  
APPLICATOR TANK

JTP	1FEB96	SIZE A	FSCM NO.	DWG NO.	REV A
SCALE 1/16			SHEET		