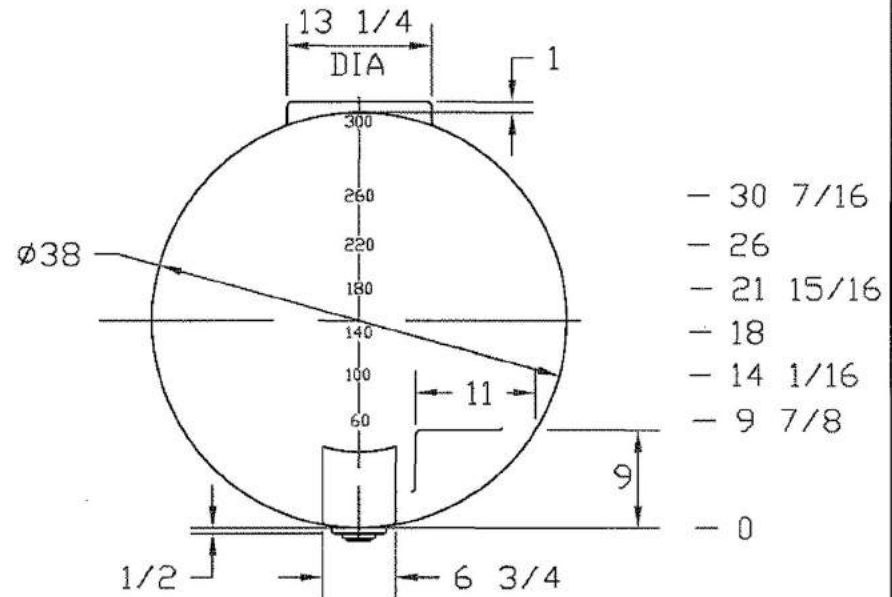
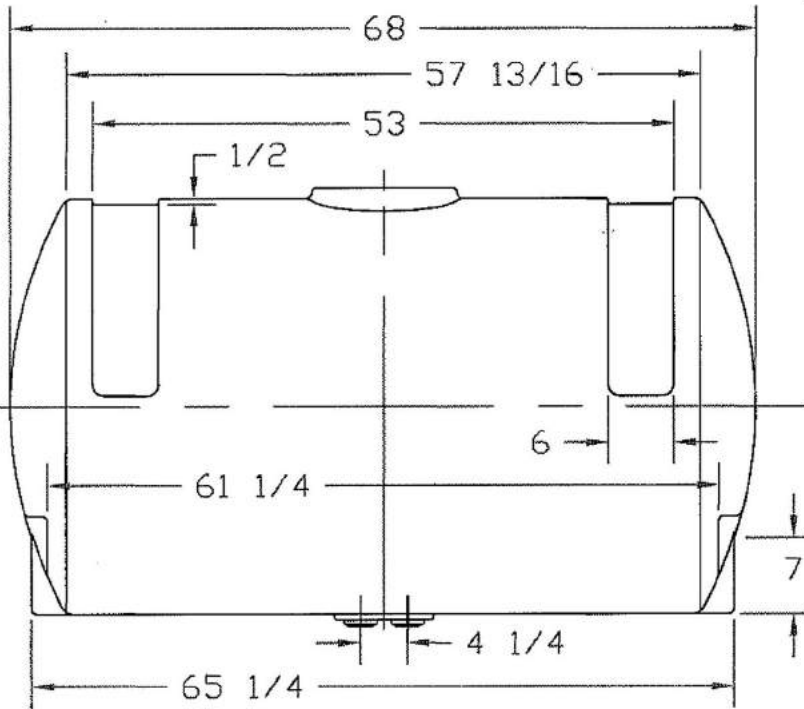
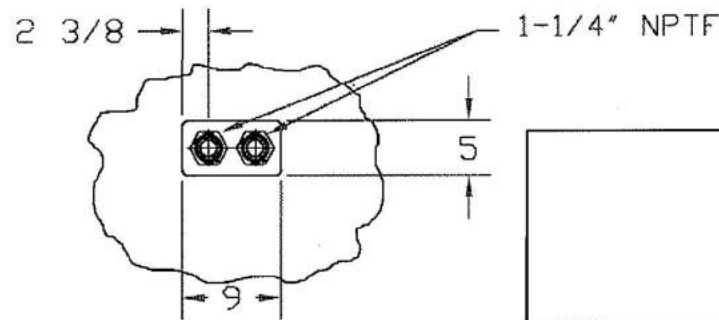


REVISIONS				
ZONE	REV	DESCRIPTION	DATE	APPROVED
	C	REDRAWN	20AUG97	
	D	FITTINGS UPDATED	09DEC02	



- 30 7/16
- 26
- 21 15/16
- 18
- 14 1/16
- 9 7/8
- 0



		300 GALLON APPLICATOR TANK		
JTP	20AUG97	SIZE A	FSCM NO.	DWG NO.
		SCALE 1/16		SHEET