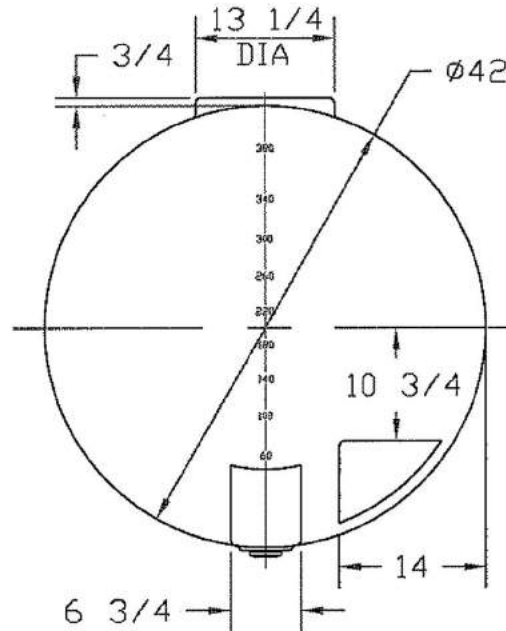
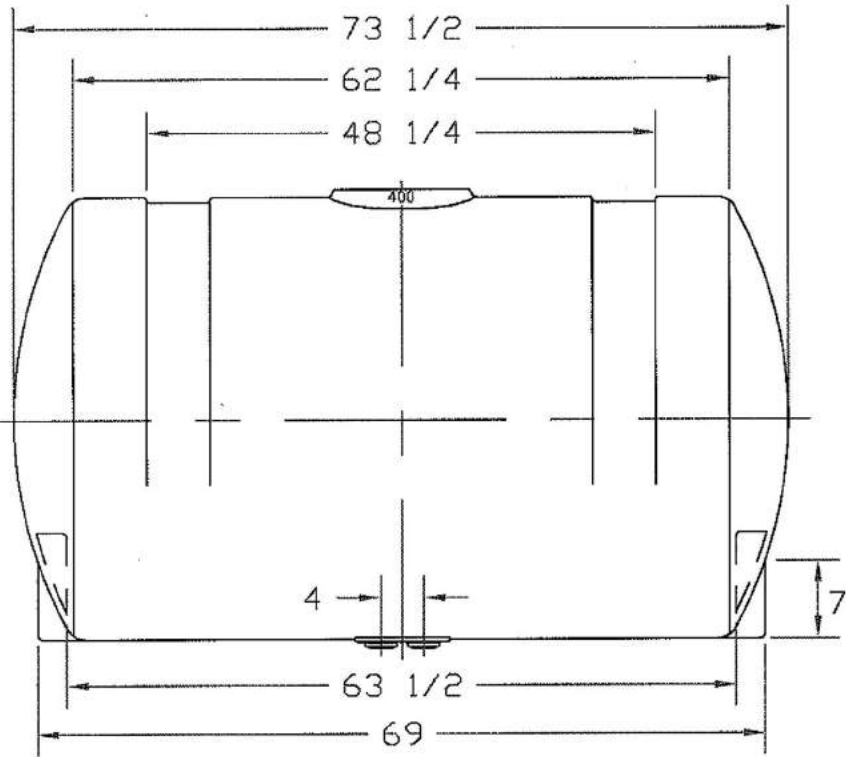
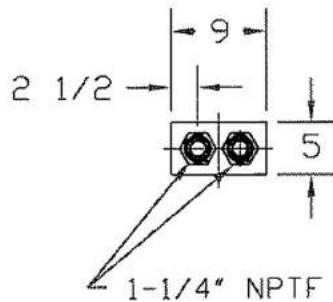


REVISIONS				
ZONE	REV	DESCRIPTION	DATE	APPROVED
	C	REDRAWN	22AUG97	
	D	FITTINGS UPDATED	09DEC02	



- 38.0
- 33.2
- 29.4
- 25.9
- 22.6
- 19.4
- 16.1
- 12.6
- 8.8
- 0.0



		400 GALLON APPLICATOR TANK		
JTP	22AUG97	SIZE A	FSCM NO.	DWG NO.
		SCALE 1/16		SHEET
				REV D