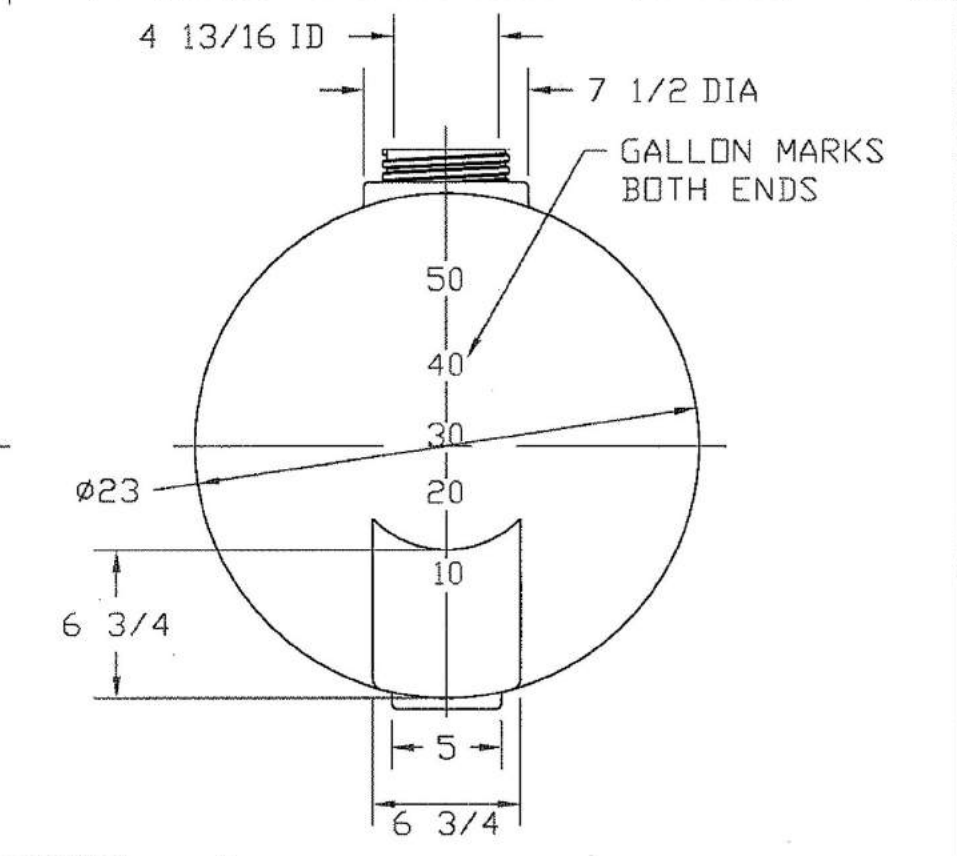


REVISIONS				
ZONE	REV	DESCRIPTION	DATE	APPROVED
	A	REDRAWN	16MAY97	
	B	LID THREAD REVISED	09FEB00	



		55 GALLON APPLICATOR TANK		
JTP	16MAY97	SIZE A	FSCM NO.	DWG NO.
		SCALE 1/8	SHEET	
				REV B