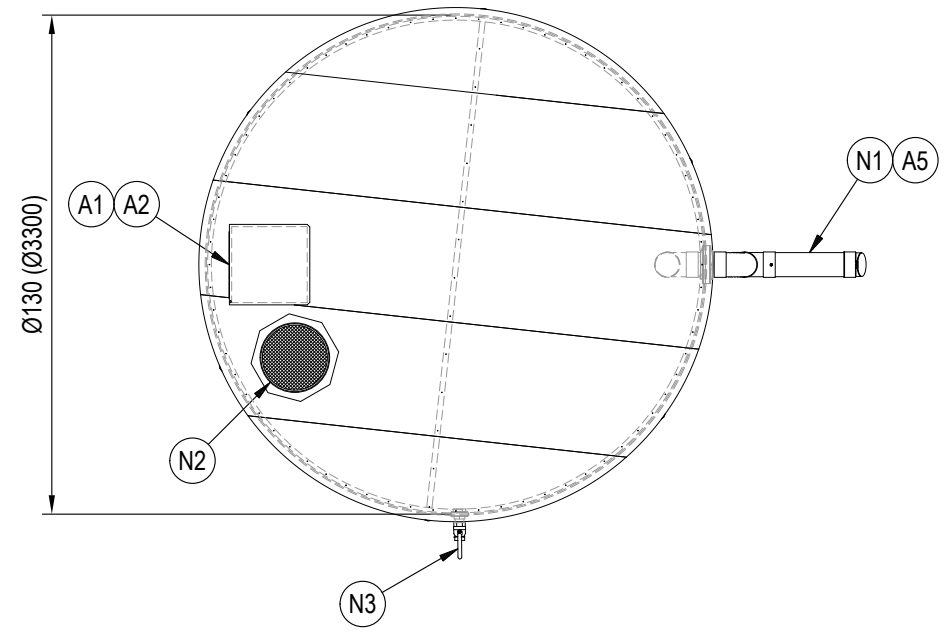
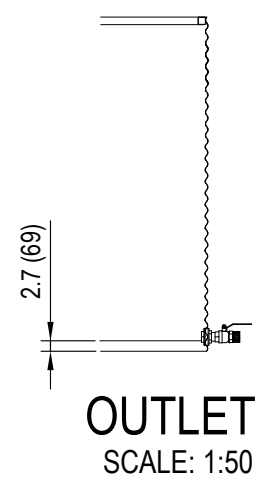


REVISIONS				
REV.	DESCRIPTION	DATE	DRAWN	APPROVED
A	FIRST ISSUE	04/08/17	BAF	DDI
B	CORRECTIONS MADE	04/08/17	BAF	DDI



TANK PLAN
SCALE: 1:50



OUTLET
SCALE: 1:50

MANUFACTURER	AQUAMATE
MODEL	CA5000
GROSS CAPACITY	5,000 GALLONS
SHELL COLOR / FINISH	NO COLOR / GALVANIZED FINISH
SHELL MOISTURE BARRIER	20mil UNSUPPORTED PE
LINER	ENVIROLINER 20mil
ROOF SHEETING	5/8x3" CORRUGATED 27GA

ID	ACCESSORIES
A1	20" SLIDING ROOF ACCESS HATCH
A2	LIGHT DUTY LADDER - 3 RING TANK
A3	130" GEOMAT
A4	DUST AND VERMIN PROTECTION
A5	6" PVC OVERFLOW PIPEWORK

NOTES

GENERAL

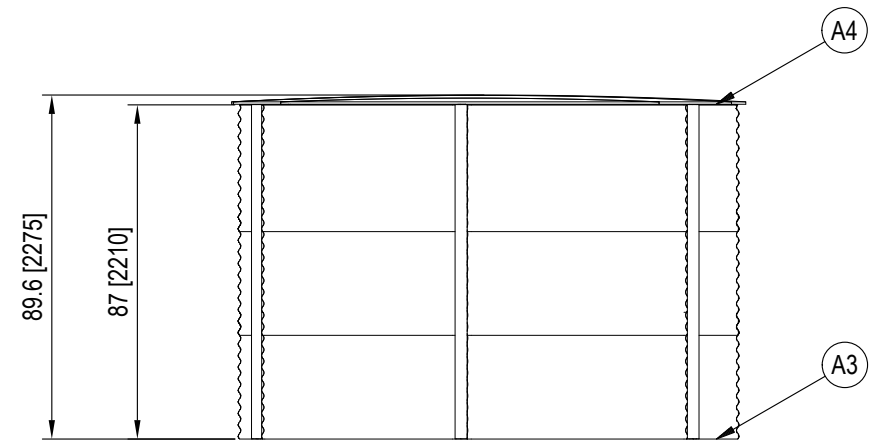
- DRAWINGS TO BE READ IN CONJUNCTION WITH DESIGN SPECIFICATION
- EFFECTIVE VOLUME CALCULATION BASED ON STORAGE LOSS BELOW INVERT OF THE LOWEST OUTLET AND FROM 1" BELOW THE INVERT / LIP OF THE LOWEST OVERFLOW

PRODUCTION

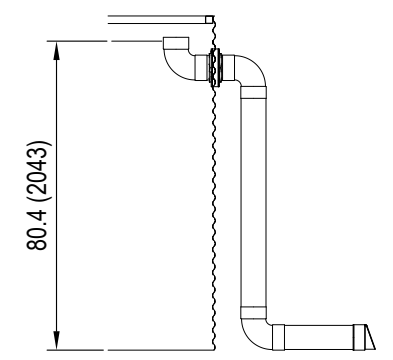
- ALL PIPEWORK & VALVES, UNLESS SPECIFIED, BY OTHERS

INSTALLATION

- ENSURE FIRM FLAT AND LEVEL SITE IS PROVIDED, AS PER SITE PREPARATION SPECIFICATION, PRIOR TO COMMENCING CONSTRUCTION
- ORIENTATION OF ALL FITTINGS TO BE CONFIRMED PRIOR TO INSTALLATION
- INSTALLATION TOLERANCES APPLY ON TOP OF STANDARD PRODUCTION TOLERANCES



TANK ELEVATION
SCALE: 1:50



OVERFLOW
SCALE: 1:50

ID	DESCRIPTION	SIZE	TYPE	LVL.	MATERIAL	VALVE TYPE	INTERNAL
N1	OVERFLOW	6"	SDR 35	73.5	ASA	-	VERTICAL ORIFICE
N2	INLET	16"	BASKET	87.0	PP / PE	-	UV GUARD
N3	OUTLET	2"	NPT	3.75	PP	Ni COATED BALL	HORIZONTAL ORIFICE

INIT.	DATE	MATERIAL:	TITLE: 130" DIAMETER x 87" TALL WATER TANK AQUAMATE GENERAL ARRANGEMENT	ITEM No.: D029	DRG No.: G033-0001	SHEET SIZE: B			
DRAWN	BAF						04/08/17	ALL DIMENSIONS IN INCHES [MILLIMETERS]	FINISH:
CHECKED									
APPROVED									
ISSUED			SCALE: 1:50	SHEET: 1 OF 1	WEIGHT:				



4906 Dillehay Drive Ste 200, Allen TX 75002
844.320.8265 | info@aquamatetanks.com | aquamatetanks.com