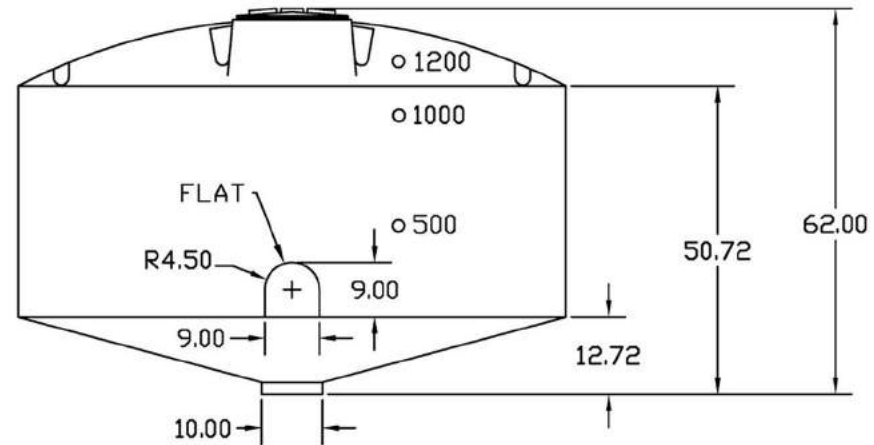
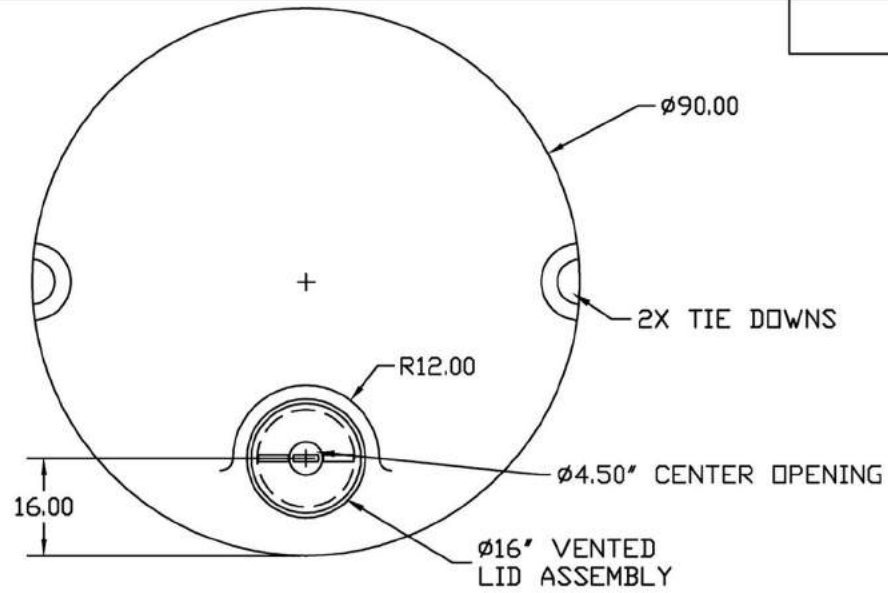


PROPRIETARY DATA

PROPERTY OF ACE ROTO-MOLD MFG., INC. INFORMATION FURNISHED HEREIN IS THE PROPERTY OF ACE ROTO-MOLD MFG., INC. AND SHALL NOT BE USED, DISCLOSED TO OTHERS, OR COPIED WITHOUT THE EXPRESSED WRITTEN CONSENT OF ACE ROTO-MOLD MFG., INC. ALL RIGHTS RESERVED.

1. SPECIFIC GRAVITY IS 1.75
2. 1 PIECE ROTATIONALLY MOLDED
3. TRANSLUCENT
4. FDA APPROVED RESIN
5. CALIBRATED IN GALLONS
6. THREE YEAR WARRANTY
7. UV STABILIZED
8. MIXER OR PUMP MOUNT ON REQUEST



				DRAWN / DATE DHJ 3/2/95	MATERIAL		
				APPRD. / DATE REH 4/18/07	HDPE OR EQUIVALENT REFERENCE MATERIAL DATA SHEET FOR SPECIFIC PROPERTIES.	CLIENT / DESCRIPTION 1200 GALLON ϕ 90" 15° CONE BOTTOM TANK	
A	ISOLATED TANK FROM STAND	5/23/06	NVE			SCALE N.S.	PART NO.
REV	DESCRIPTION	DATE	APPRD		NOTES: 1. WHITE OR YELLOW TANK COLOR 2. SHOT WEIGHT 24.0 LBS.		
ALL DIMENSIONS ARE IN DECIMAL INCHES TOLERANCES UNLESS OTHERWISE SPECIFIED \pm 1% @ 68° F				THIRD ANGLE PROJECTION ANSI 14.5M 			

CBA1200

(866) 776-8265

PROTANK

sales@protank.com