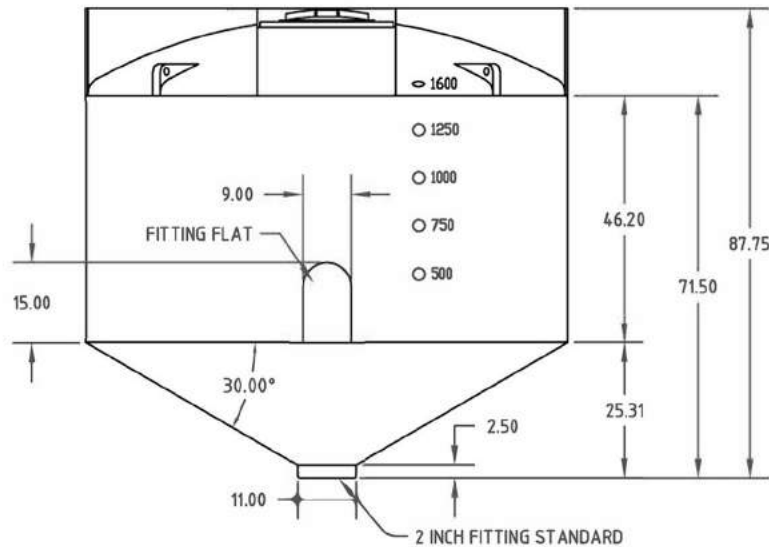
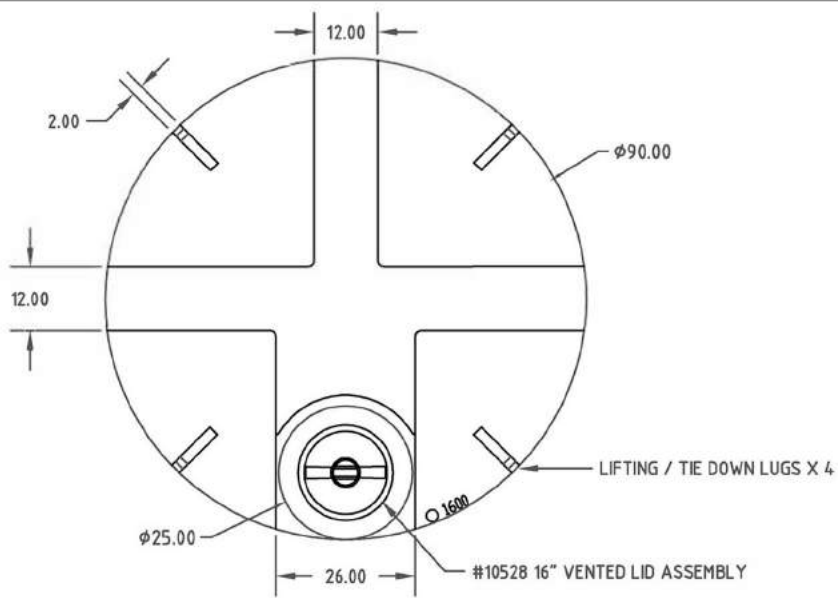


Copyright. All information furnished within this document, electronic file or design correspondence is the property of Den Hartog Industries, Inc. and shall not be used, disclosed to others or copied without the expressed written consent of Den Hartog Industries, Inc.



				DRAWN / DATE DHJ 1/3/11	MATERIAL 10420 3 MELT		
				APPRD. / DATE REH 2/2/11			
REV	DESCRIPTION	BY / DATE	CCN				
ALL DIMENSIONS ARE IN DECIMAL INCHES TOLERANCES UNLESS OTHERWISE SPECIFIED				SHOT WEIGHT: 284 LBS.	NOTES: 1. THICKNESS @ BOTTOM SIDEWALL .326	DESCRIPTION 1550 GALLON 90" DIA. X 30° CONE BOTTOM TANK W/ INDUSTRIAL TOP	
POLYETHYLENE ±1% @ 68° F		THIRD ANGLE PROJECTION ANSI 14.5M 		SHIPPING WEIGHT: 286 LBS.		SCALE N.S.	PART NO.
METAL DECIMAL ±.125" FRACTION ± 1/4" ANGLE ± 1°				FINISH:			