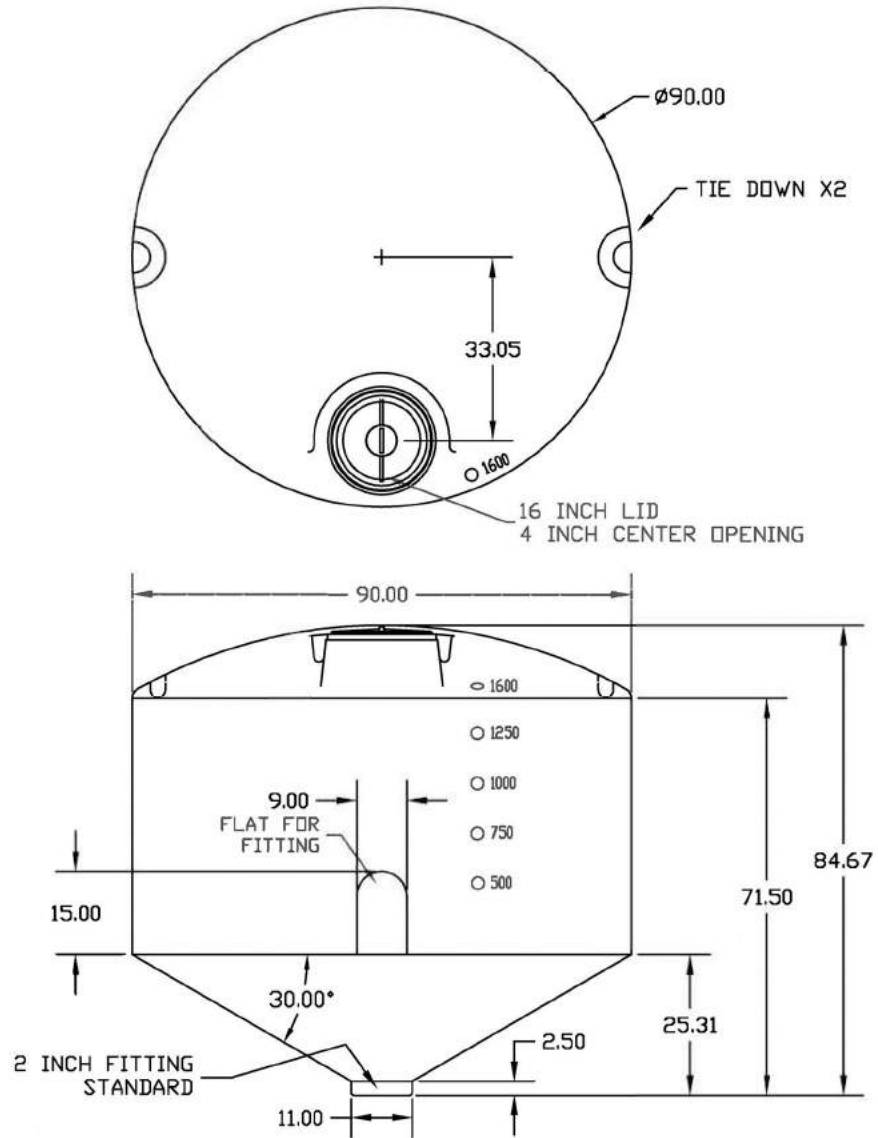


PROPRIETARY DATA

PROPERTY OF DEN HARTOG INDUSTRIES, INC. INFORMATION FURNISHED HEREIN IS THE PROPERTY OF DEN HARTOG INDUSTRIES, INC. AND SHALL NOT BE USED, DISCLOSED TO OTHERS, OR COPIED WITHOUT THE EXPRESSED WRITTEN CONSENT OF DEN HARTOG INDUSTRIES, INC. ALL RIGHTS RESERVED.

D



D	ISOLATED STAND AND TANK	6/6/06	NVE			
C	ADDED HEIGHT DIMENSIONS	4/11/06		DRAWN / DATE	MATERIAL	
B	CHANGE SUMP	3/9/06		DHJ 3/ 1/03		
A	CHANGE DIM BASE	4/9/03		APPRD. / DATE	HDPE OR EQUIVALENT REFERENCE MATERIAL DATA SHEET FOR SPECIFIC PROPERTIES.	
REV	DESCRIPTION	DATE	APPRD	REH 4/18/07		CLIENT / DESCRIPTION
				THIRD ANGLE PROJECTION ANSI 14.5M	NOTES:	1600 GALLON CONE BOTTOM TANK
ALL DIMENSIONS ARE IN DECIMAL INCHES TOLERANCES UNLESS OTHERWISE SPECIFIED ± 1% @ 68° F					1. NOM. WALL @ .326 2. SHOT WEIGHT 284 LBS.	SCALE N.S.
						PART NO.

CBA1600

(866) 776-8265

PROTANK

sales@protank.com