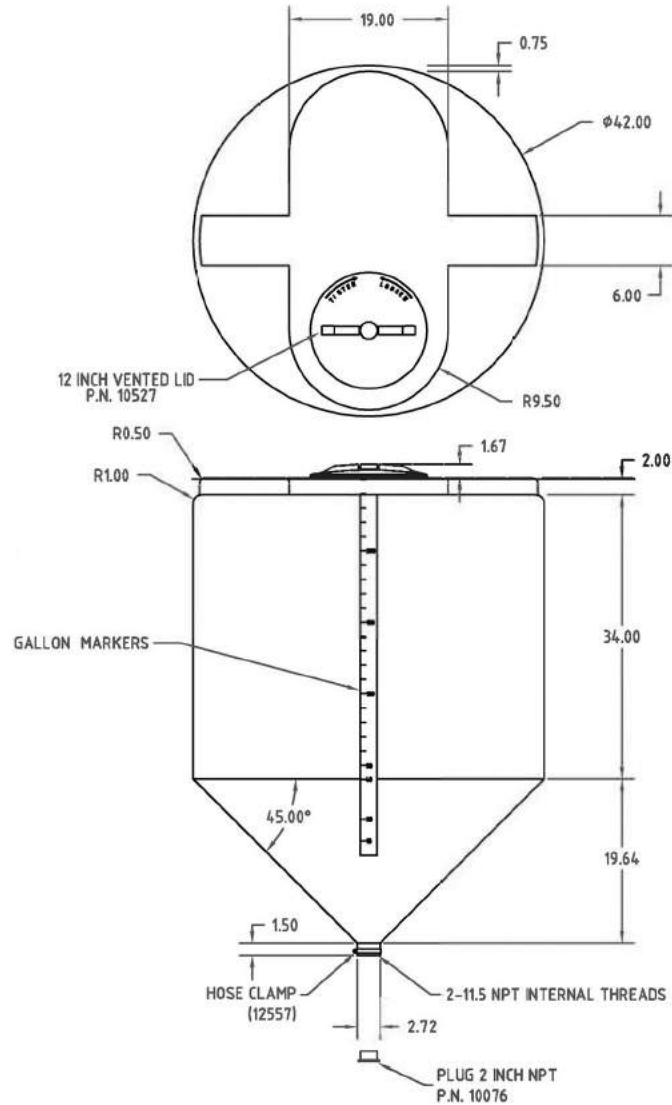


Copyright: All information furnished within this document, electronic file or design correspondence is the property of Den Hartog Industries, Inc. and shall not be used, disclosed to others or copied without the expressed written consent of Den Hartog Industries, Inc.



				DRAWN / DATE DHJ 2/24/10	MATERIAL MEDIUM DENSITY POLYETHYLENE		
				APPRD. / DATE REH 5/26/10			
REV	DESCRIPTION	BY / DATE	CCN				
ALL DIMENSIONS ARE IN DECIMAL INCHES TOLERANCES UNLESS OTHERWISE SPECIFIED		THIRD ANGLE PROJECTION ANSI 14.5M		SHOT WEIGHT: 75 LBS.	NOTES:	DESCRIPTION 240 GALLON FULL DRAIN CONE BOTTOM TANK	
POLYETHYLENE		METAL DECIMAL ± .125" FRACTION ± 1/4" ANGLE ± 1°		SHIPPING WEIGHT: 77 LBS.		SCALE N.S.	PART NO.
±1% @ 68° F				FINISH:			