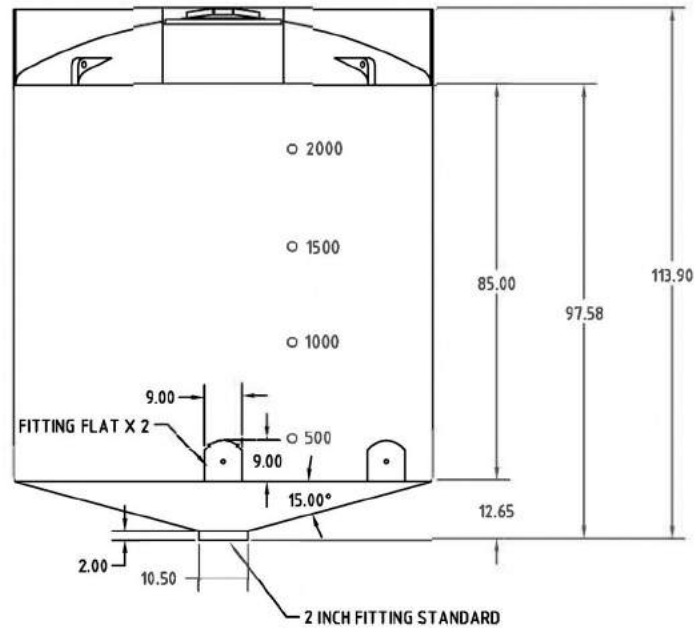
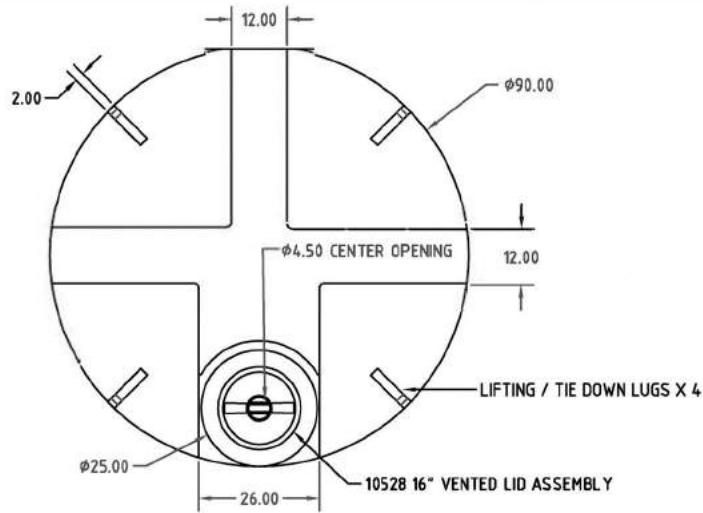


Copyright. All information furnished within this document, electronic file or design correspondence is the property of Den Hartog Industries, Inc. and shall not be used, disclosed to others or copied without the expressed written consent of Den Hartog Industries, Inc.



				DRAWN / DATE DHJ 1/5/11	MATERIAL 10420	
				APPRD. / DATE REH 2/2/11		
REV	DESCRIPTION	BY / DATE	CCN			
	ALL DIMENSIONS ARE IN DECIMAL INCHES TOLERANCES UNLESS OTHERWISE SPECIFIED			SHOT WEIGHT: 435 LBS.	NOTES: 1. THICKNESS @ BOTTOM SIDEWALL .390	DESCRIPTION 2450 GAL. 90" DIA. X 15° CONE BOTTOM TANK W/ INDUSTRIAL TOP
	POLYETHYLENE ±1% @ 68° F			THIRD ANGLE PROJECTION ANSI 14.5H		SCALE N.S.
	METAL DECIMAL ± .125" FRACTION ± 1/4" ANGLE ± 1°			SHIPPING WEIGHT: 437 LBS.		PART NO.