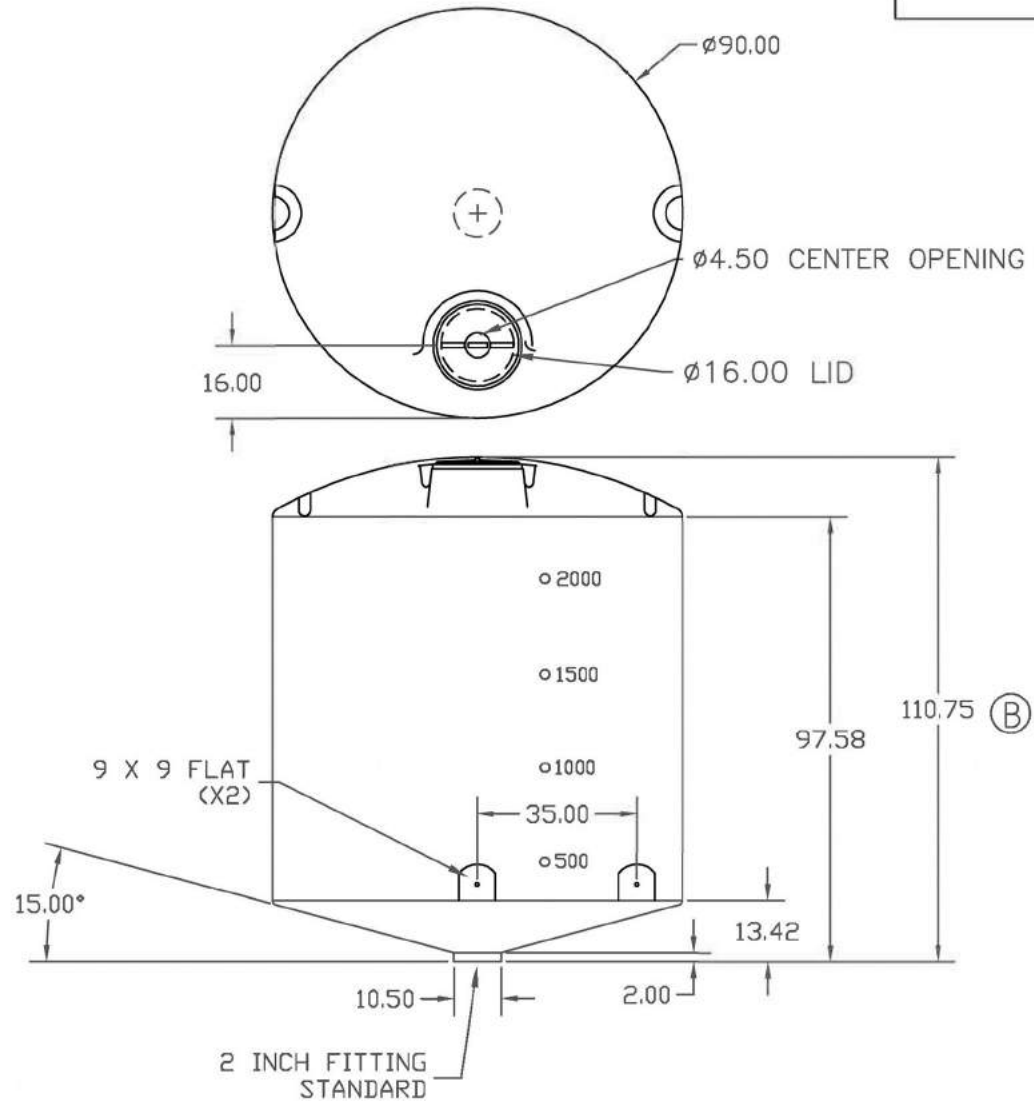


PROPRIETARY DATA

PROPERTY OF DEN HARTOG INDUSTRIES, INC. INFORMATION FURNISHED HEREIN IS THE PROPERTY OF DEN HARTOG INDUSTRIES, INC. AND SHALL NOT BE USED, DISCLOSED TO OTHERS, OR COPIED WITHOUT THE EXPRESSED WRITTEN CONSENT OF DEN HARTOG INDUSTRIES, INC. ALL RIGHTS RESERVED.

B



				DRAWN / DATE	MATERIAL		
B	HEIGHT WAS 108.75	6/28/06	NVE	DHJ 10/7/04	HDPE OR EQUIVALENT REFERENCE MATERIAL DATA SHEET FOR SPECIFIC PROPERTIES.		
A	ISOLATED TANK FROM STAND	6/13/06	NVE	APPRD. / DATE		CLIENT / DESCRIPTION	
REV	DESCRIPTION	DATE	APPRD	REH 4/18/07		2500 GALLON Ø90" 15° CONE BOTTOM TANK	
ALL DIMENSIONS ARE IN DECIMAL INCHES TOLERANCES UNLESS OTHERWISE SPECIFIED ± 1% @ 68° F				THIRD ANGLE PROJECTION ANSI 14.5M	NOTES: 1. SHOT WEIGHT 435 LBS.	SCALE	PART NO.
						N.S.	