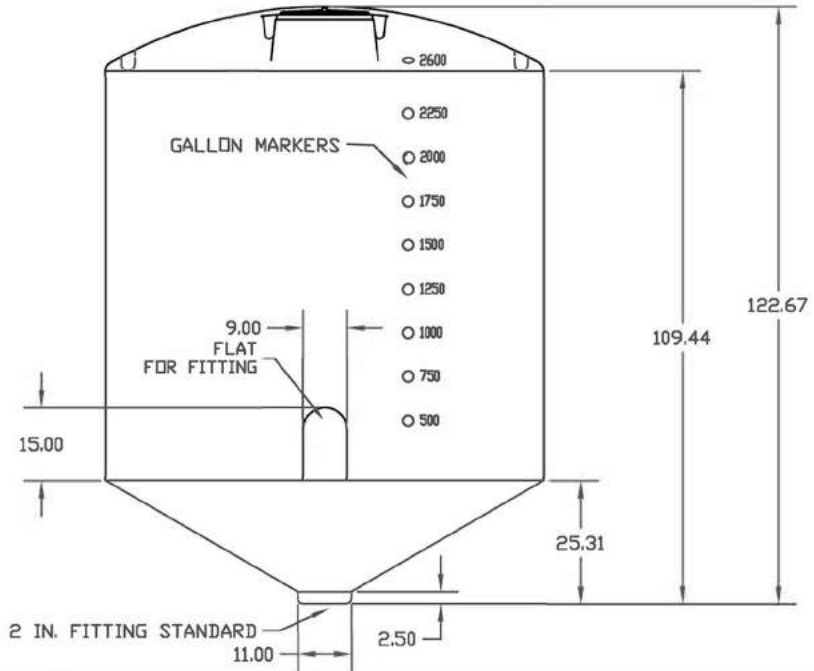
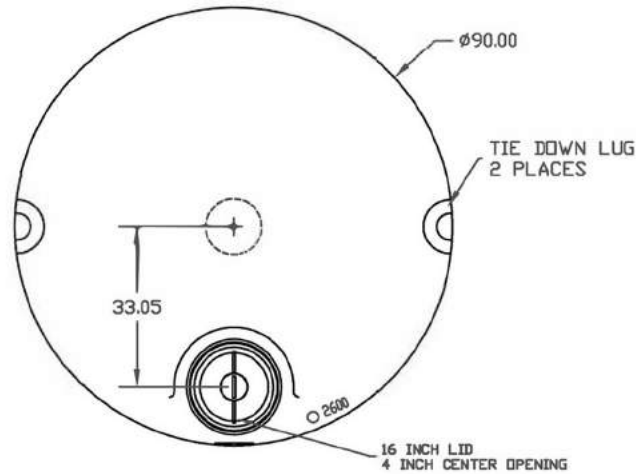


PROPRIETARY DATA

PROPERTY OF DEN HARTOG INDUSTRIES, INC. INFORMATION FURNISHED HEREIN IS THE PROPERTY OF DEN HARTOG INDUSTRIES, INC. AND SHALL NOT BE USED, DISCLOSED TO OTHERS, OR COPIED WITHOUT THE EXPRESSED WRITTEN CONSENT OF DEN HARTOG INDUSTRIES, INC. ALL RIGHTS RESERVED.

A



				DRAWN / DATE DHJ 3/30/06		MATERIAL HDPE OR EQUIVALENT			
A	ISOLATED TANK AND STAND	6/13/06	NVE	APPRD. / DATE REH 4/18/07		CLIENT / DESCRIPTION 2600 GALLON CONE BOTTOM TANK 30 DEG			
REV	DESCRIPTION	DATE	APPRD			NOTES: 1. SHOT WEIGHT 500 LBS.		SCALE N.S.	PART NO.
ALL DIMENSIONS ARE IN DECIMAL INCHES TOLERANCES UNLESS OTHERWISE SPECIFIED ± 1% @ 68° F				THIRD ANGLE PROJECTION ANSI 14.5M 					

CBA2600-90

(866) 776-8265

PROTANK

sales@protank.com