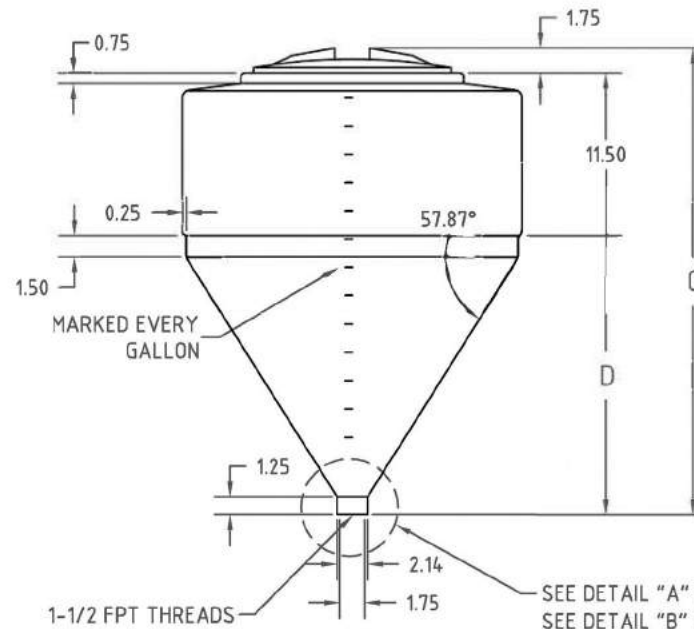
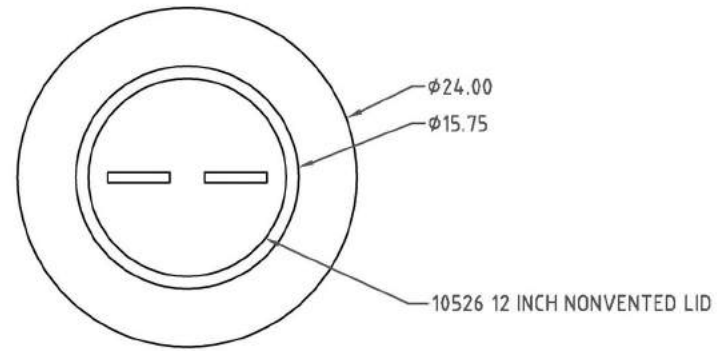
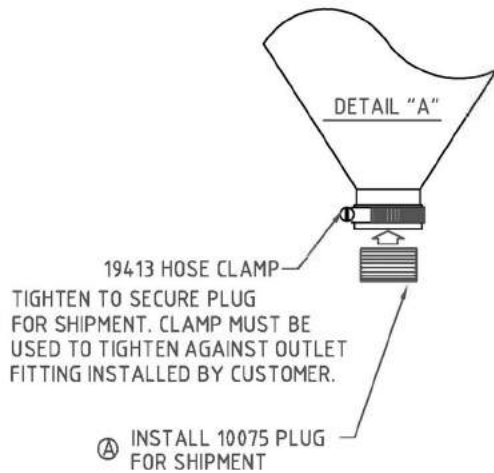
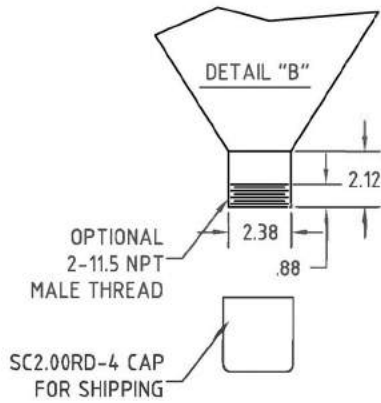


Copyright: All information furnished within this document, electronic file or design correspondence is the property of Den Hartog Industries, Inc. and shall not be used, disclosed to others or copied without the expressed written consent of Den Hartog Industries, Inc.



DIMENSION C
33.00 FOR 1.5 NPT OUTLET
33.75 FOR 2 NPT OUTLET

DIMENSION D
19.75 FOR 1.5 NPT OUTLET
20.50 FOR 2 NPT OUTLET

				DRAWN / DATE DHJ 2/7/07	MATERIAL MEDIUM DENSITY POLYETHYLENE	
B	ADDED 2 INCH MALE THREAD OPTION	DHJ 8/15/11	2269	APPRD. / DATE REH 6/29/07		
A	10075 PLUG WAS 19412 PLUG CEN 1579	ADH 1/28/08				
REV	DESCRIPTION	BY / DATE	CCN			
ALL DIMENSIONS ARE IN DECIMAL INCHES TOLERANCES UNLESS OTHERWISE SPECIFIED		THIRD ANGLE PROJECTION ANSI 14.5M		SHOT WEIGHT: 15 LBS.	NOTES: 1. .22 WALL	DESCRIPTION 30 GALLON INDUCTOR (FULL DRAIN)
POLYETHYLENE		METAL DECIMAL $\pm .125$ " FRACTION $\pm 1/4$ " ANGLE $\pm 1^\circ$		SHIPPING WEIGHT: 17 LBS.		SCALE N.S.
$\pm 1\%$ @ 68° F				FINISH:		