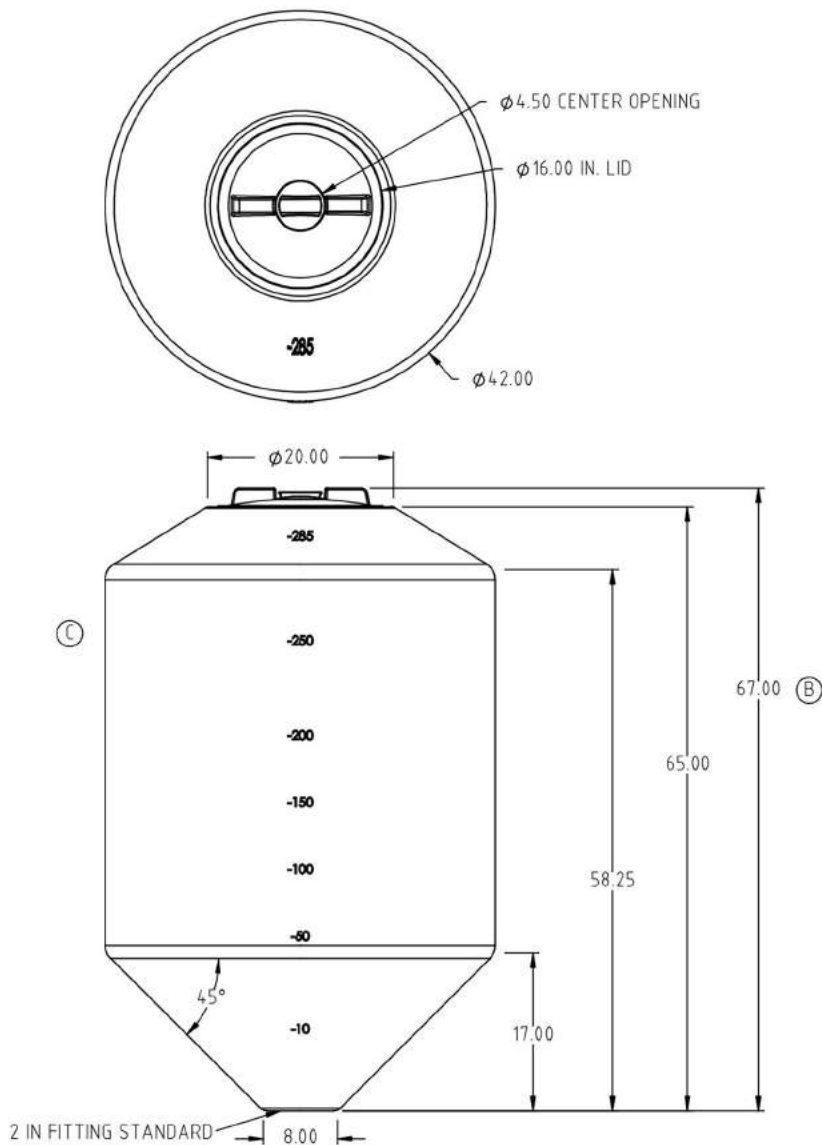


Copyright. All information furnished within this document, electronic file or design correspondence is the property of Den Hartog Industries, Inc. and shall not be used, disclosed to others or copied without the expressed written consent of Den Hartog Industries, Inc.

C



C	REMOVE RIB, DRAWING TEMPLATE UPDATED	DHI 5/25/12	2427	DRAWN / DATE DHJ 1/20/03	MATERIAL	DESCRIPTION 300 GALLON CONE BOTTOM TANK
B	HEIGHT WAS 66.00	NVE 7/10/06		APPRD. / DATE REH 4/18/07	HDPE OR EQUIVALENT REFERENCE MATERIAL DATA SHEET FOR SPECIFIC PROPERTIES.	
A	ISOLATED STAND AND TANK	NVE 6/6/06				
REV	DESCRIPTION	BY / DATE	CCN			
ALL DIMENSIONS ARE IN DECIMAL INCHES TOLERANCES UNLESS OTHERWISE SPECIFIED		THIRD ANGLE PROJECTION ANSI 14.5M		SHOT WEIGHT: 100.00 LBS.	NOTES: 1.) NOM. WALL @ .322	SCALE N.S.
POLYETHYLENE		METAL		SHIPPING WEIGHT:		PART NO.
±1% @ 68°F		DECIMAL ± .125" FRACTION ± 1/4" ANGLE ± 1°		FINISH:		