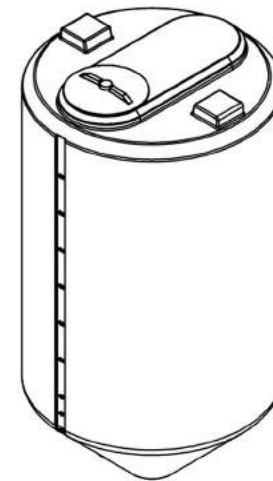
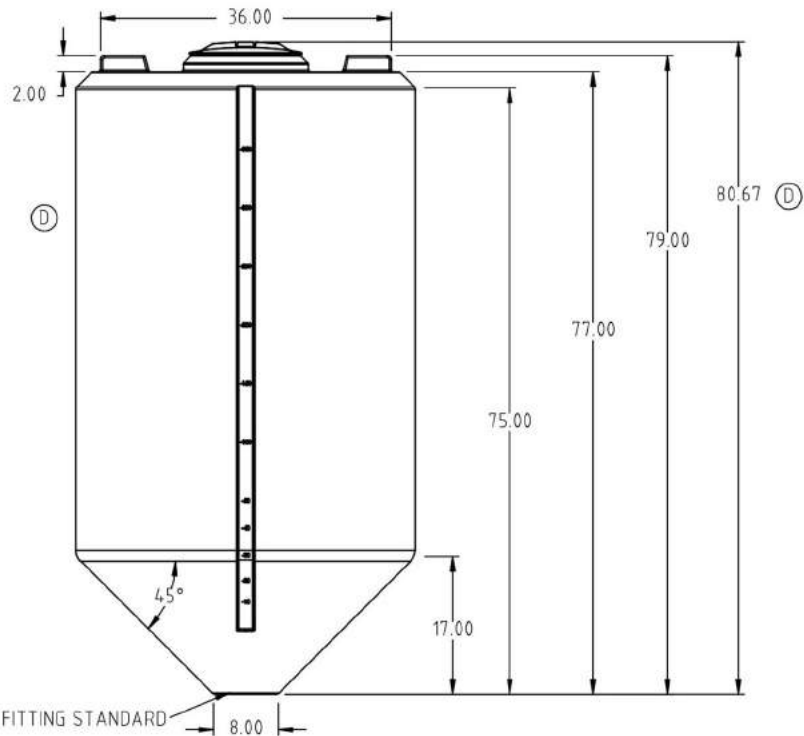
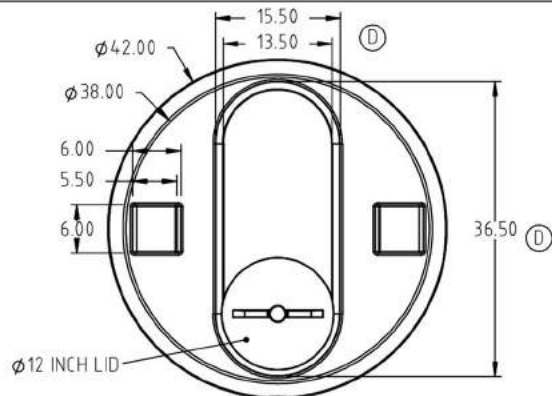


© DEN HARTOG INDUSTRIES, INC.

Copyright. All information furnished within this document, electronic file or design correspondence is the property of Den Hartog Industries, Inc. and shall not be used, disclosed to others or copied without the expressed written consent of Den Hartog Industries, Inc.



D	REMOVE RIB, DIMENSIONS/ DRAWING TEMPLATE UPDATED	DHJ 5/25/12	2427		
C	ISOLATED TANK FROM STAND	NVE 5/23/06		DRAWN / DATE EVAN 6/22/95	MATERIAL
B	UPDATE DIMENSIONS	6-30-04			HDPE OR EQUIVALENT REFERENCE MATERIAL DATA SHEET FOR SPECIFIC PROPERTIES.
A	CHANGE LID TO 12"	2-4-04		APPRD. / DATE REH 4/18/07	
REV	DESCRIPTION	BY / DATE	CCN		
ALL DIMENSIONS ARE IN DECIMAL INCHES TOLERANCES UNLESS OTHERWISE SPECIFIED		THIRD ANGLE PROJECTION ANSI 14.5M		SHOT WEIGHT: 118.00 LBS.	NOTES:
POLYETHYLENE	METAL DECIMAL ± .125" FRACTION ± 1/4" ANGLE ± 1°			SHIPPING WEIGHT:	1.) NOM. WALL @ .320
±1% @ 68°F				FINISH:	
				SCALE N.S.	PART NO.

CBA350

(866) 776-8265

PROTANK

sales@protank.com