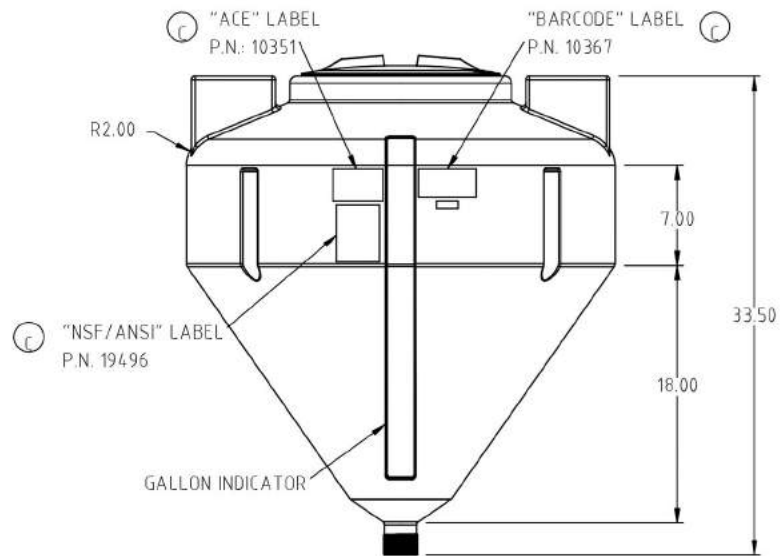
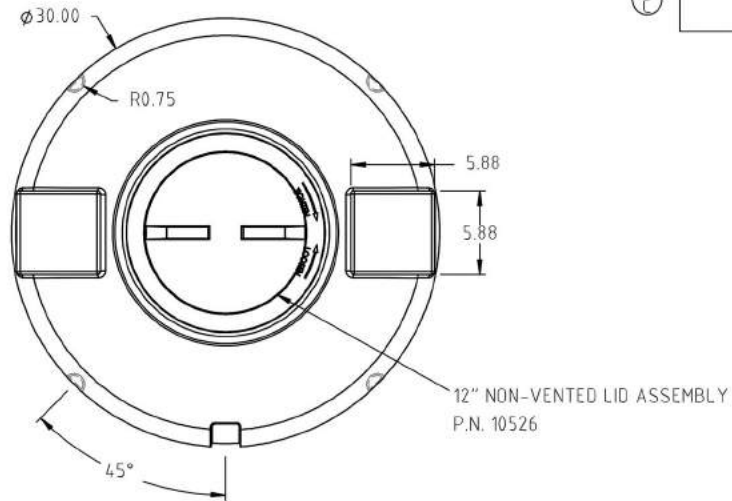
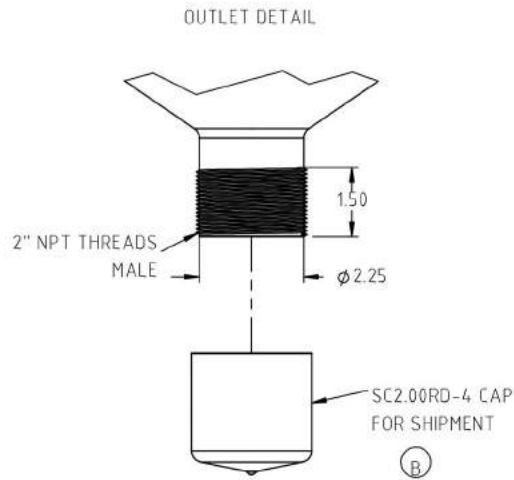


Copyright. All information furnished within this document, electronic file or design correspondence is the property of Den Hartog Industries, Inc. and shall not be used, disclosed to others or copied without the expressed written consent of Den Hartog Industries, Inc.



C	PART NUMBER/DESCRIPTION UPDATED. LABELS ADDED TO PRINT.	ADH 12/18/15	3178	DRAWN / DATE REH 8/7/02	MATERIAL MOBIL 134	DESCRIPTION 40 GAL. FULL DRAIN TANK
B	CAP ADDED	REH 8/2/07	1410	APPRD. / DATE REH 8/7/02		
A	CHANGE BOTTOM OUTLET	7/20/04				
REV	DESCRIPTION	BY / DATE	CCN			
ALL DIMENSIONS ARE IN DECIMAL INCHES TOLERANCES UNLESS OTHERWISE SPECIFIED		THIRD ANGLE PROJECTION ANSI 14.5M		SHOT WEIGHT: 26.00 LBS	NOTES: 1.) NATURAL COLOR 2.) NOM. WALL 0.190	SCALE N.S.
POLYETHYLENE	METAL DECIMAL ± .125" FRACTION ± 1/4" ANGLE ± 1°			SHIPPING WEIGHT: 28.00 LBS		PART NO.
±1% @ 68°F				FINISH:		