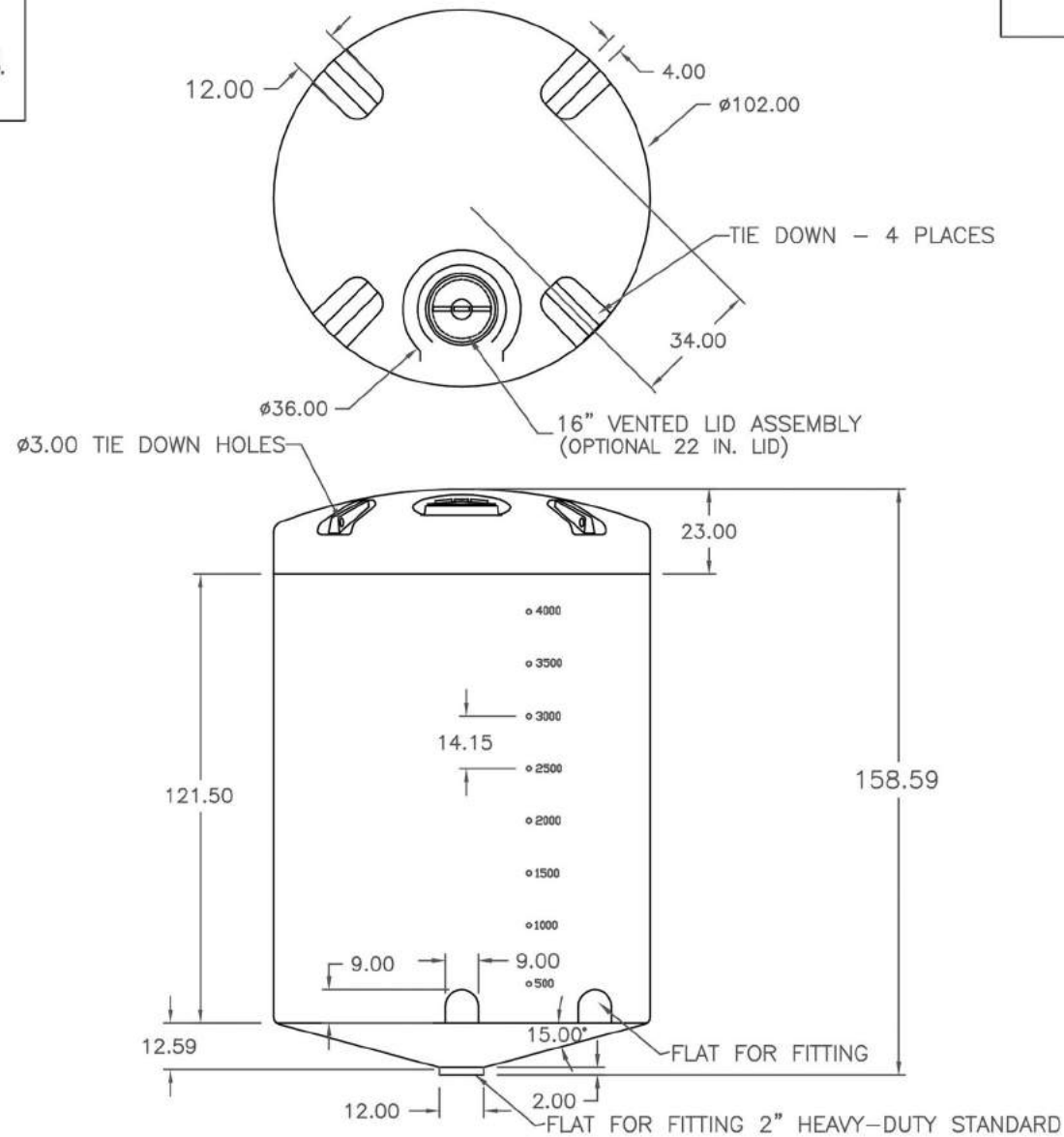


PROPRIETARY DATA

PROPERTY OF ACE ROTO-MOLD MFG., INC. INFORMATION FURNISHED HEREIN IS THE PROPERTY OF ACE ROTO-MOLD MFG., INC. AND SHALL NOT BE USED, DISCLOSED TO OTHERS, OR COPIED WITHOUT THE EXPRESSED WRITTEN CONSENT OF ACE ROTO-MOLD MFG., INC. ALL RIGHTS RESERVED.

A



			DRAWN / DATE DHJ 4/14/04	MATERIAL HDPE OR EQUIVALENT REFERENCE MATERIAL DATA SHEET FOR SPECIFIC PROPERTIES.		CLIENT / DESCRIPTION 4900 GALLON $\phi$ 102" 15' CONE BOTTOM TANK	
A	FINALIZE DRAWING	12\2\04	APPRD. / DATE REH 4/18/07			SCALE N.S.	
REV	DESCRIPTION	DATE APPRD	THIRD ANGLE PROJECTION ANSI 14.5M 		NOTES: 1. YELLOW OR WHITE COLOR 2. SHOT WEIGHT 1300 LBS.		PART NO.
ALL DIMENSIONS ARE IN DECIMAL INCHES TOLERANCES UNLESS OTHERWISE SPECIFIED $\pm 1\% @ 68^{\circ} F$							

CBA4900

(866) 776-8265

PROTANK

sales@protank.com