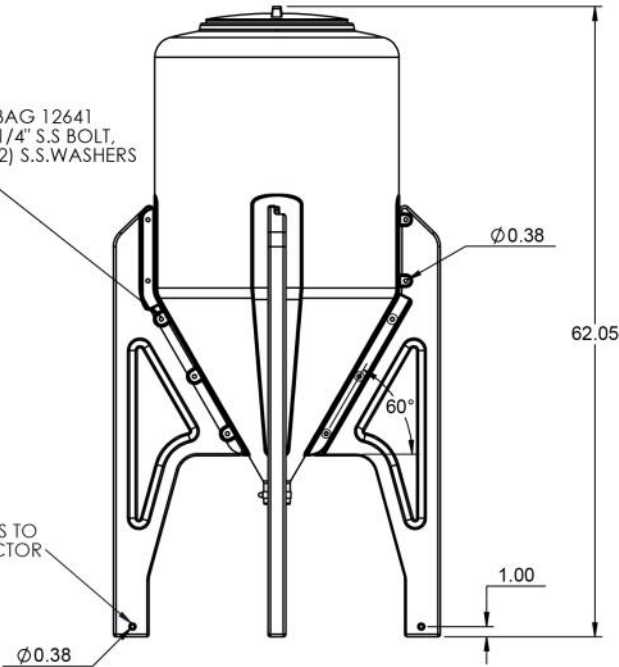


HARDWARE BAG 12641
(1) 5/16" X 1 1/4" S.S. BOLT,
(1) L. NUT & (2) S.S. WASHERS
20 PLACES

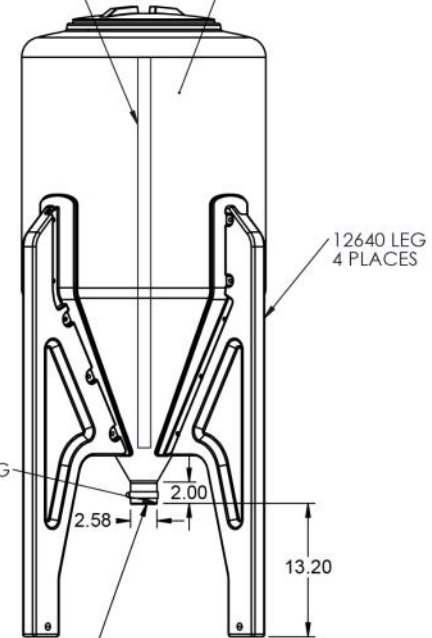
USE THESE HOLES TO
ANCHOR INDUCTOR



GALLON CALIBRATIONS
IBFD060SWSSTANK
ASSEMBLY

12639 S.S.
HOSE CLAMP
TO SECURE
CUSTOMER
SUPPLIED FITTING

2" FPT THREADS - INSTALL
10076 PLUG FOR SHIPMENT



				DRAWN / DATE ADH 8/25/08	MATERIAL	
				APPRD. / DATE REH 6/10/09		
REV	DESCRIPTION	BY / DATE	CCN	SHOT WEIGHT:	NOTES:	
	ALL DIMENSIONS ARE IN DECIMAL INCHES TOLERANCES UNLESS OTHERWISE SPECIFIED			SHIPPING WEIGHT:		DESCRIPTION 60 GALLON BLOW MOLDED INDUCTOR
	POLYETHYLENE ±1% @ 68°F	THIRD ANGLE PROJECTION ANSI 14.5M		FINISH:		SCALE N.S.
	METAL DECIMAL ± .125" FRACTION ± 1/4" ANGLE ± 1°					PART NO.