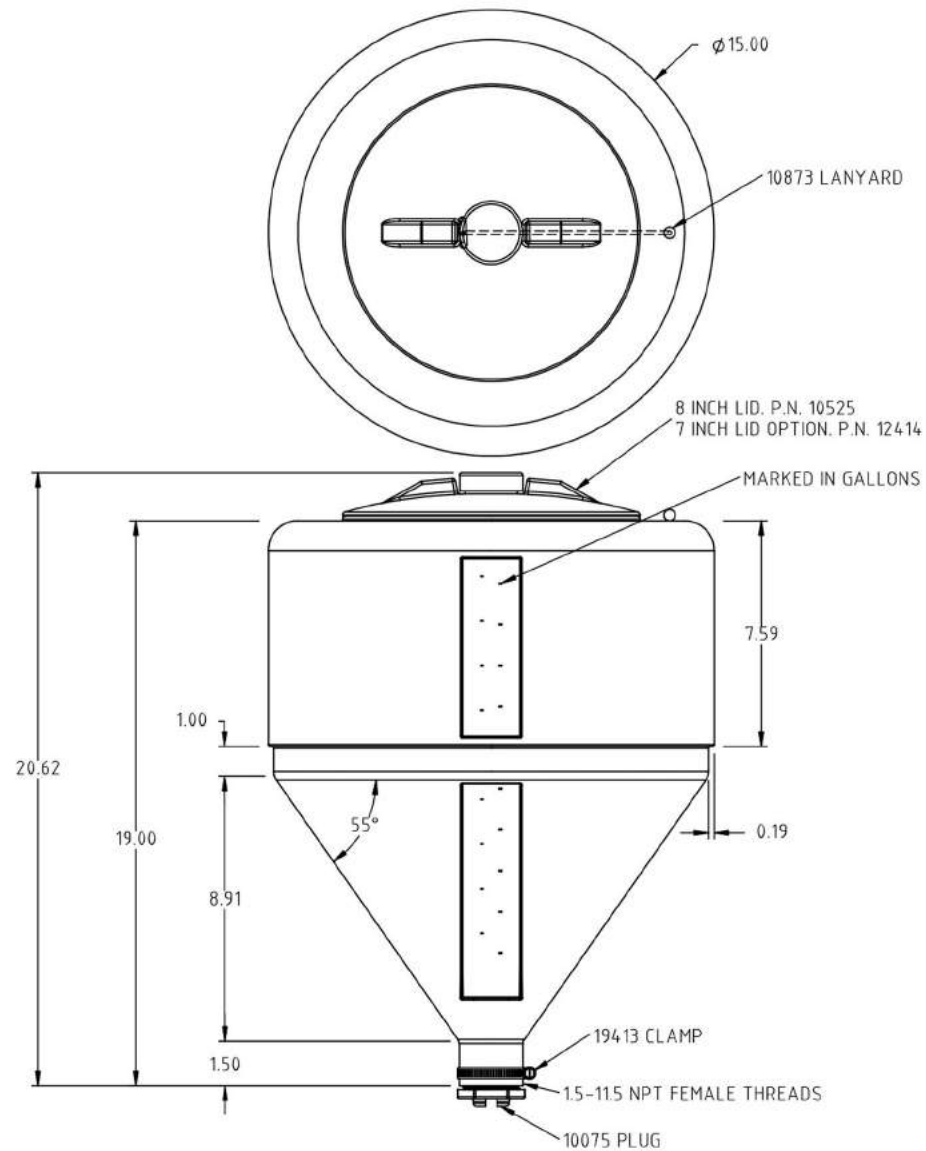


Copyright All information furnished within this document, electronic file or design correspondence is the property of Den Hartog industries, Inc. and shall not be used, disclosed to others or copied without the expressed written consent of Den Hartog Industries, Inc.



				DRAWN / DATE DHJ 10-18-13	MATERIAL	
				APPRD. / DATE REH 1/27/14	10418	
REV	DESCRIPTION	BY / DATE	CCN			
	ALL DIMENSIONS ARE IN DECIMAL INCHES TOLERANCES UNLESS OTHERWISE SPECIFIED			SHOT WEIGHT: 6.00 LBS	NOTES:	DESCRIPTION 7 GALLON FULL DRAIN INDUCTOR TANK
	POLYETHYLENE			SHIPPING WEIGHT: 8.00 LBS	1.) 0.21" NOM. WALL	SCALE N.S.
	±1% @ 68°F			FINISH:		PART NO.
	METAL DECIMAL ± .125" FRACTION ± 1/4" ANGLE ± 1°					

