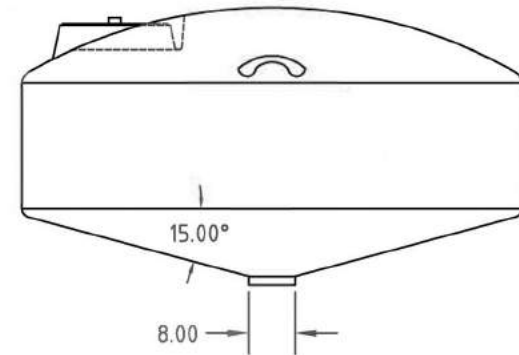
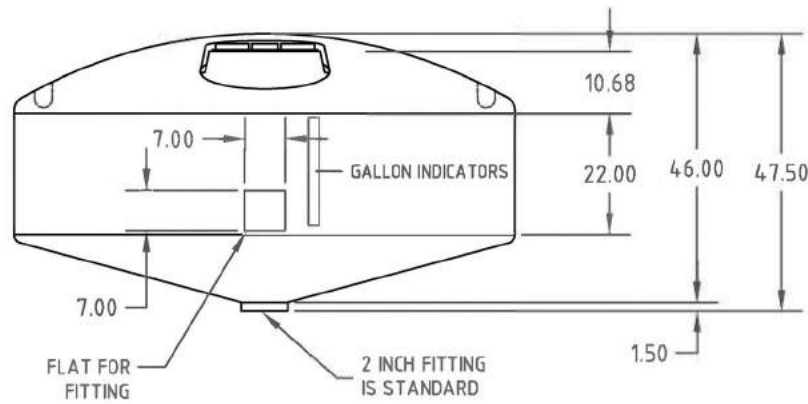
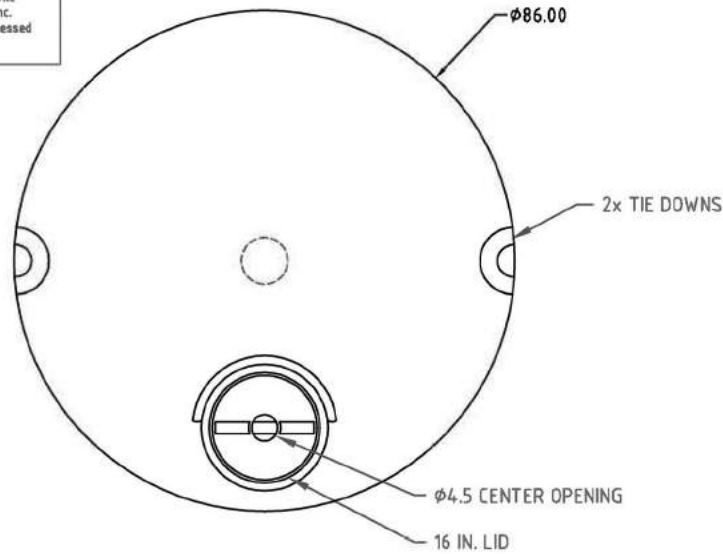


Copyright. All information furnished within this document, electronic file or design correspondence is the property of Den Hartog Industries, Inc. and shall not be used, disclosed to others or copied without the expressed written consent of Den Hartog Industries, Inc.



				DRAWN / DATE DHJ 10/27/09	MATERIAL POLYETHYLENE	
				APPRD. / DATE REH 11/2/09		
REV	DESCRIPTION	BY / DATE	CCN			
	ALL DIMENSIONS ARE IN DECIMAL INCHES TOLERANCES UNLESS OTHERWISE SPECIFIED			SHOT WEIGHT: 180 LBS.	NOTES: 1.25 WALL	DESCRIPTION 800 GALLON X 86" CONE BOTTOM TANK
	POLYETHYLENE			SHIPPING WEIGHT: 182 LBS.		SCALE N.S.
	$\pm 1\%$ @ 68° F			FINISH:		PART NO.
	METAL DECIMAL $\pm .125$ " FRACTION $\pm 1/4$ " ANGLE $\pm 1^\circ$					