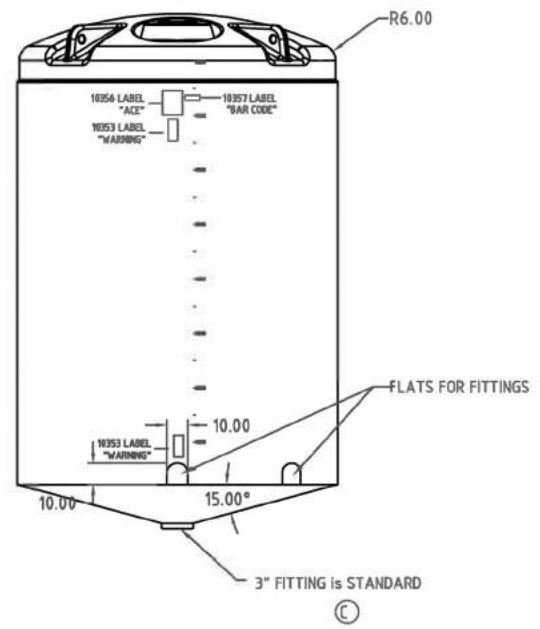
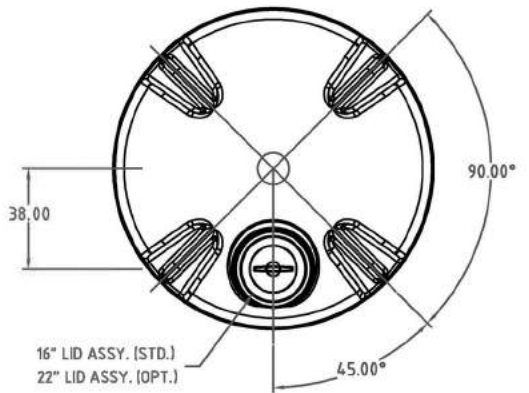
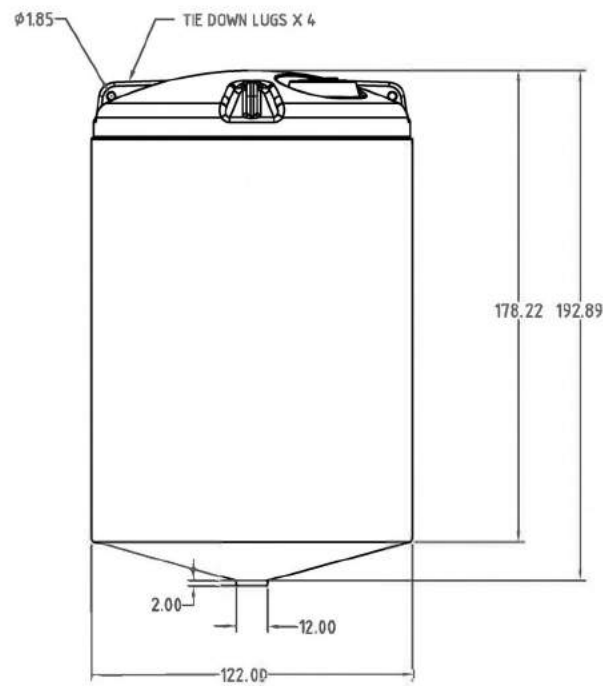


Copyright. All information furnished within this document, electronic file or design correspondence is the property of Den Hartog Industries, Inc. and shall not be used, disclosed to others or copied without the expressed written consent of Den Hartog Industries, Inc.



				DRAWN / DATE DHJ 1/16/07	MATERIAL	
B	CHANGED STANDARD FITTING FROM 2" TO 3"	3/31/10 DHJ	2013	APPRD. / DATE REH 4/18/07	10538 2 MELT	
A	CHANGED PART NUMBER	DHJ 5/7/09				
REV	DESCRIPTION	BY / DATE	CCN			
ALL DIMENSIONS ARE IN DECIMAL INCHES TOLERANCES UNLESS OTHERWISE SPECIFIED		THIRD ANGLE PROJECTION ANSI 14.5M		SHOT WEIGHT: 2100 LBS.	NOTES: 1. WHITE, BLACK, OR YELLOW COLOR	DESCRIPTION 8250 GALLON 15° CONE BOTTOM TANK
POLYETHYLENE		METAL		SHIPPING WEIGHT: 2102 LBS.		SCALE N.S.
±1% @ 68° F		DECIMAL ± .125" FRACTION ± 1/4" ANGLE ± 1°		FINISH:		