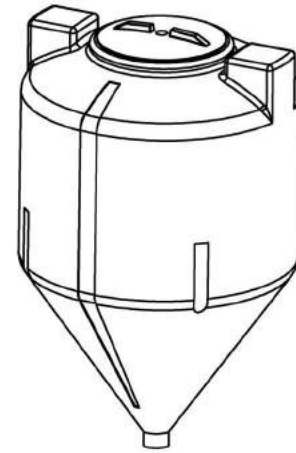
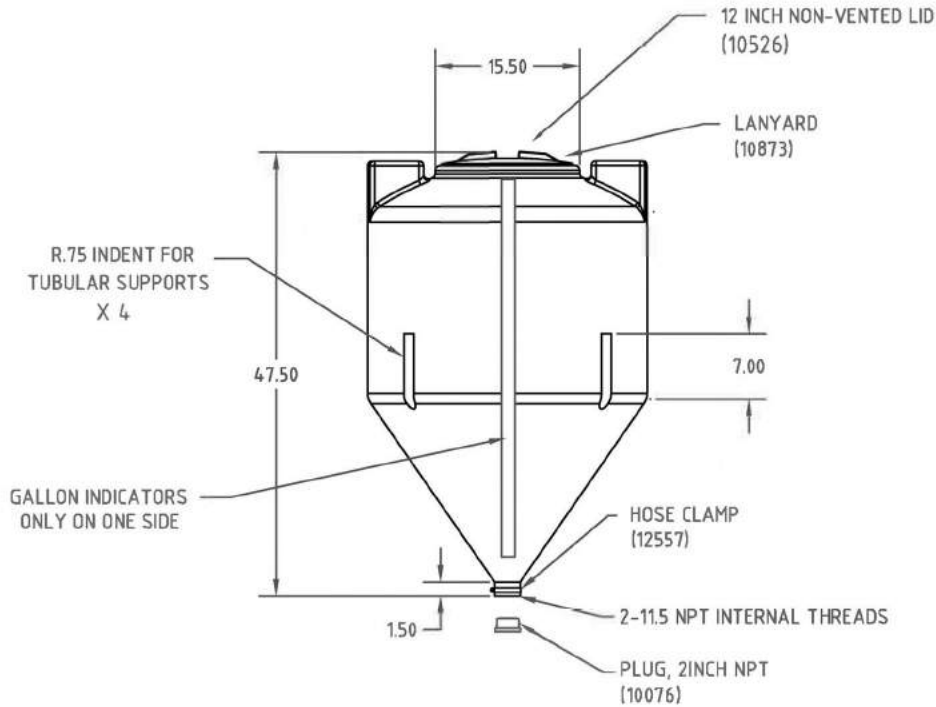
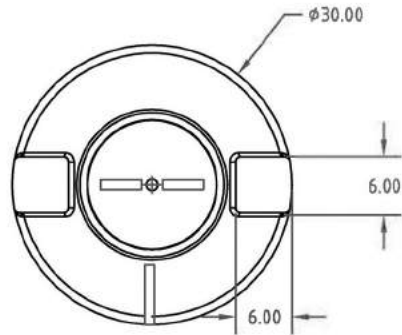


Copyright. All information furnished within this document, electronic file or design correspondence is the property of Den Hartog Industries, Inc. and shall not be used, disclosed to others or copied without the expressed written consent of Den Hartog Industries, Inc.



				DRAWN / DATE DHJ 10/26/09	MATERIAL	
				APPRD. / DATE REH 11/2/09	MEDIUM DENSITY POLYETHYLENE	
REV	DESCRIPTION	BY / DATE	CCN	SHOT WEIGHT: 35 LBS.	NOTES:	DESCRIPTION 85 GALLON FULL DRAIN INDUCTOR
	ALL DIMENSIONS ARE IN DECIMAL INCHES TOLERANCES UNLESS OTHERWISE SPECIFIED			SHIPPING WEIGHT: 37 LBS.	1.NATURAL COLOR 2.NOM. WALL .23	SCALE N.S.
	POLYETHYLENE ±1% @ 68° F			FINISH:		PART NO.
	METAL DECIMAL ± .125" FRACTION ± 1/4" ANGLE ± 1°					