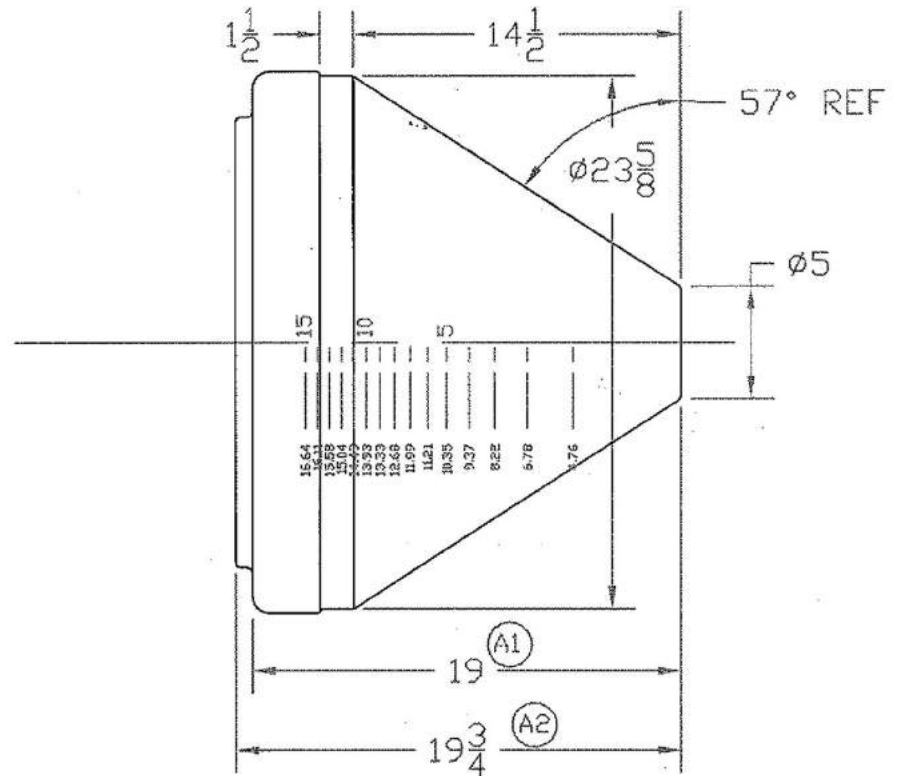
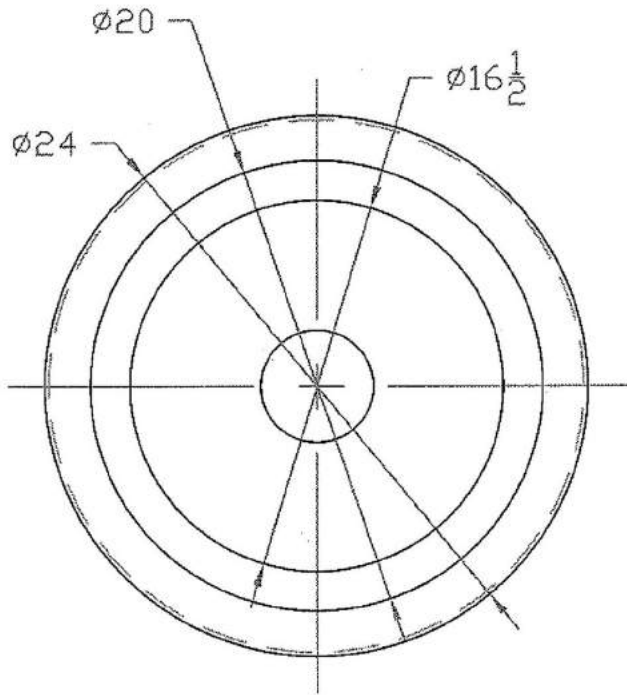


REVISIONS				
ZONE	REV	DESCRIPTION	DATE	APPROVED
	A	WAS ① 18 ② 18 3/4	11NOV04	



		15 GALLON INDUCTOR TANK x 24 DIA		
JTP	21MAY04	SIZE A	FSCM NO.	DWG NO.
		SCALE 1/8	SHEET	