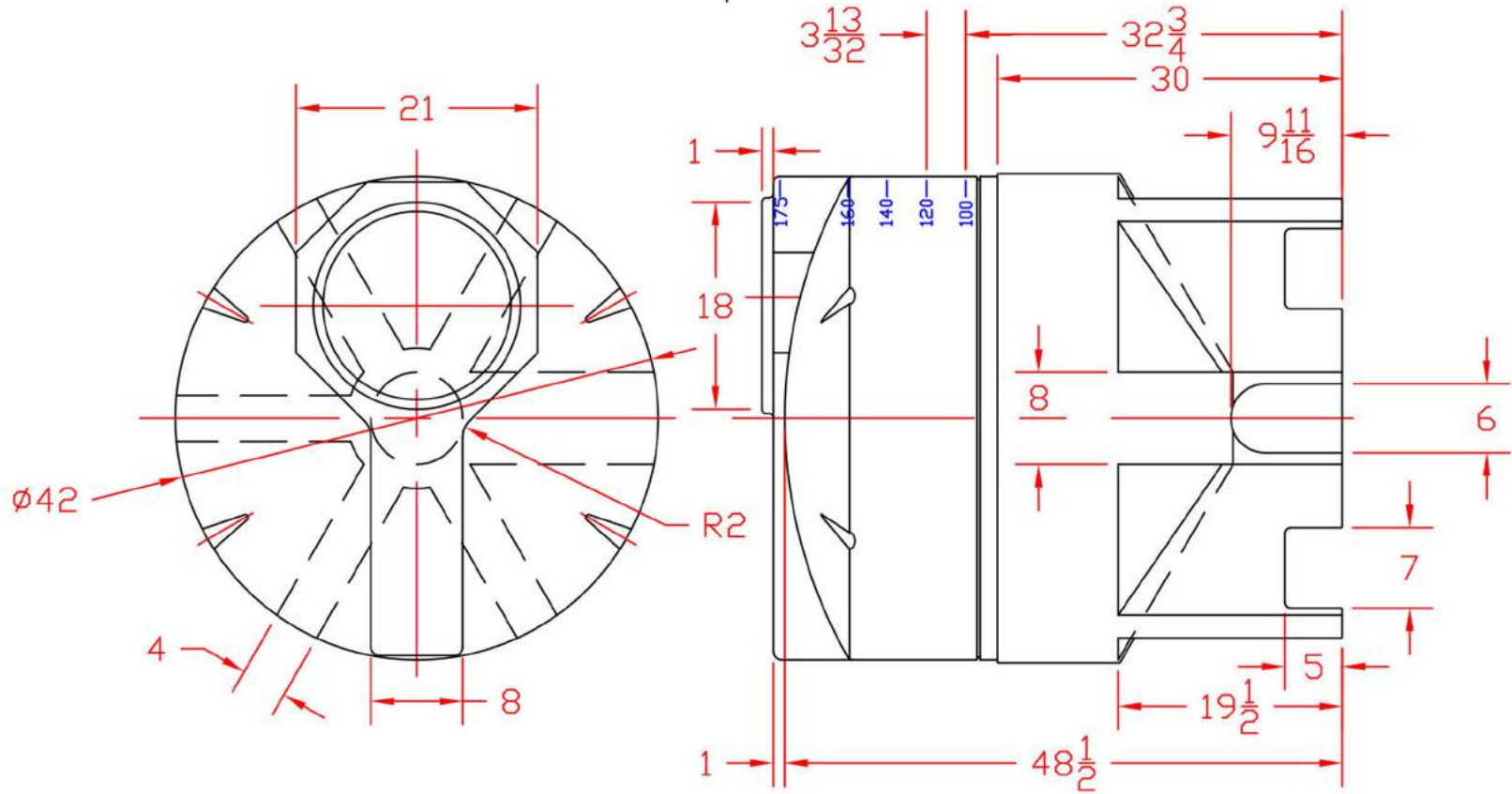


REVISIONS				
ZONE	REV	DESCRIPTION	DATE	APPROVED
	B	REDRAWN W/ 16" LID	23JAN02	



		175 GALLON CONE BOTTOM TANK WITH STAND		
JTP	23JAN02	SIZE A	FSCM NO.	DWG NO.
		SCALE 1/16	SHEET	
				REV B

CBN175-POLY

(866) 776-8265

PROTANK

sales@protank.com