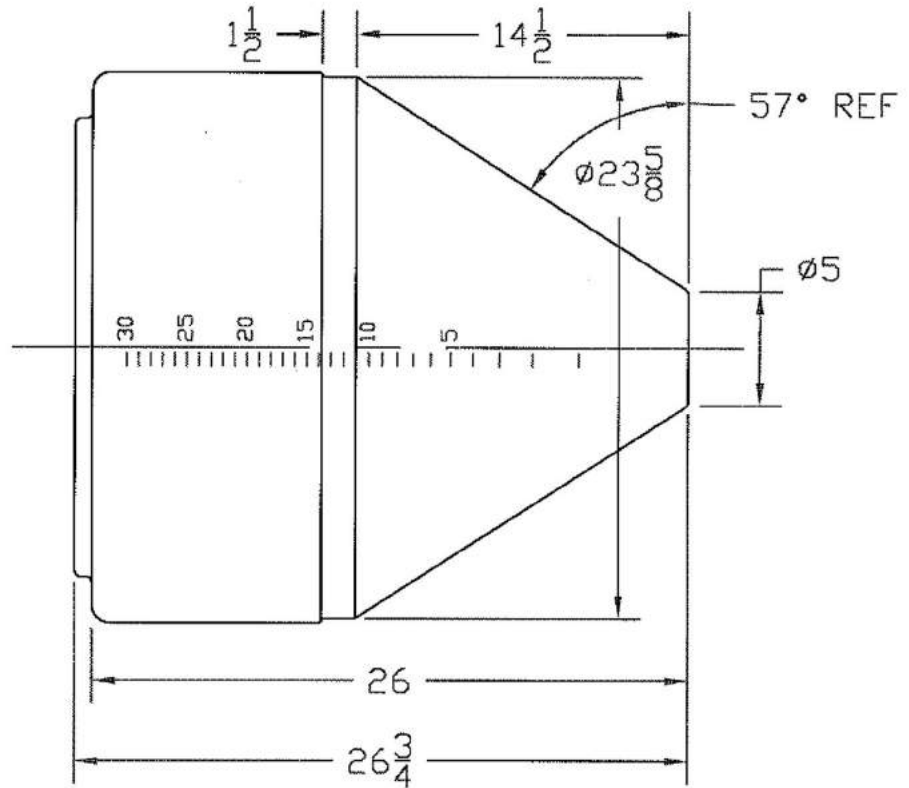
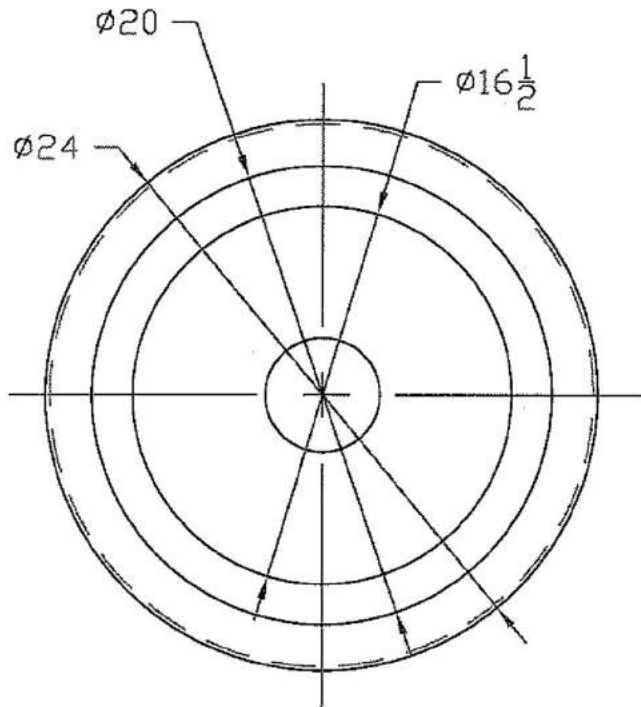


REVISIONS				
ZONE	REV	DESCRIPTION	DATE	APPROVED



		30 GALLON INDUCTOR TANK x 24 DIA		
JTP	02APR04	SIZE A	FSCM NO.	DWG NO.
		SCALE 1/8	SHEET	