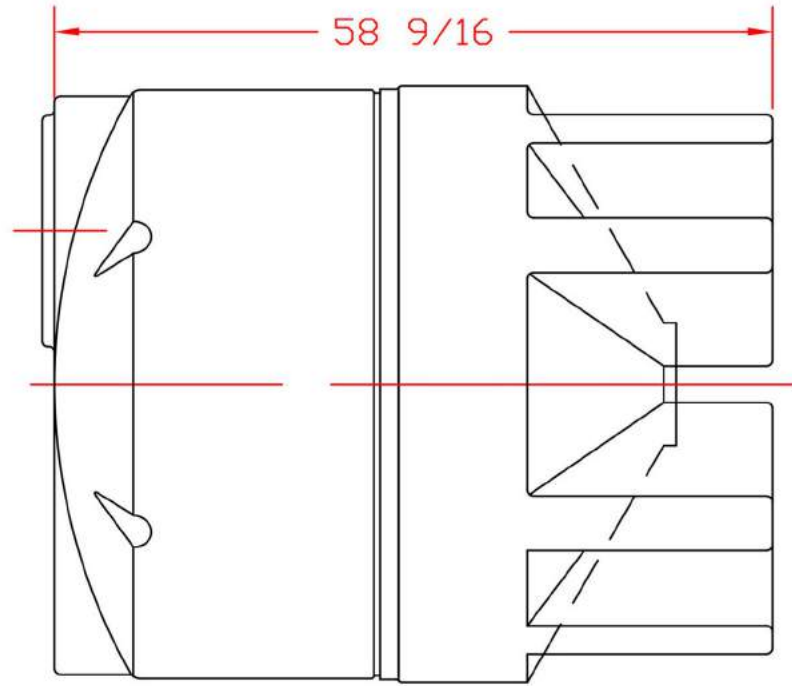


REVISIONS				
ZONE	REV	DESCRIPTION	DATE	APPROVED



		300 GALLON CONE BOTTOM TANK AND STAND		
JTP	10APR97	SIZE A	FSCM NO.	DWG NO.
		SCALE 1/16	SHEET	