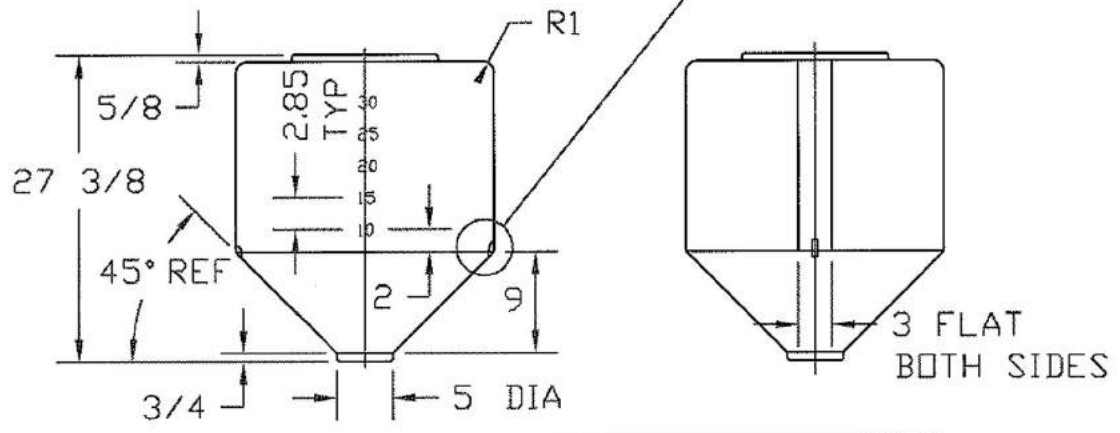
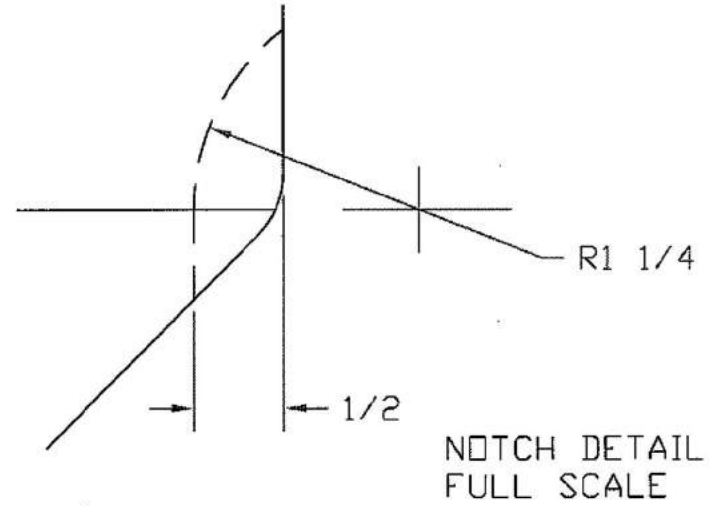
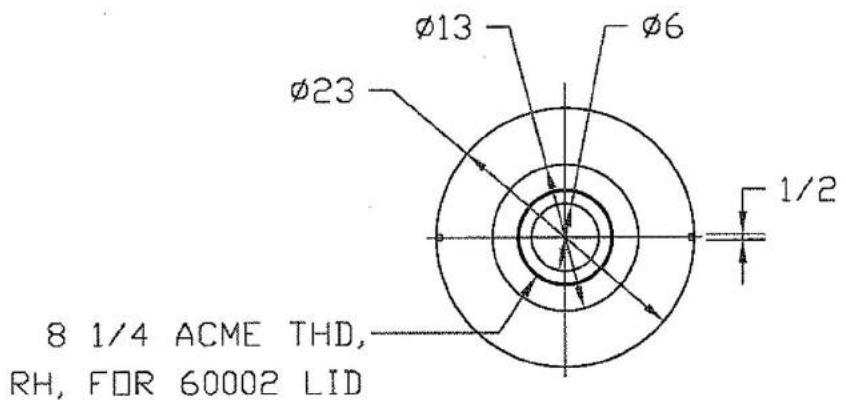


REVISIONS				
ZONE	REV	DESCRIPTION	DATE	APPROVED
	A	REDRAWN	18AUG97	



		35 GALLON INDUCTOR TANK		
JTP	18AUG97	SIZE A	FSCM NO.	DWG NO.
		SCALE 1/16	SHEET	
		REV A		