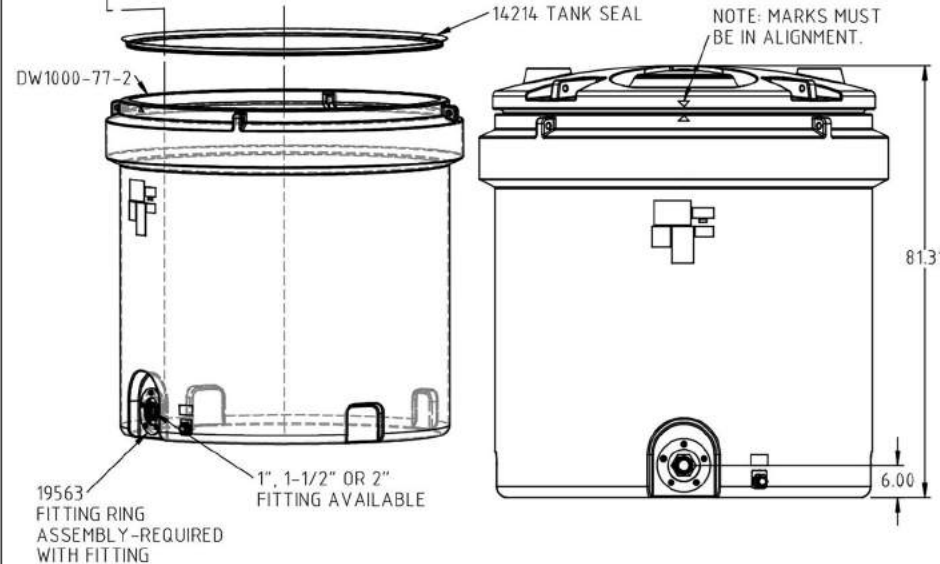
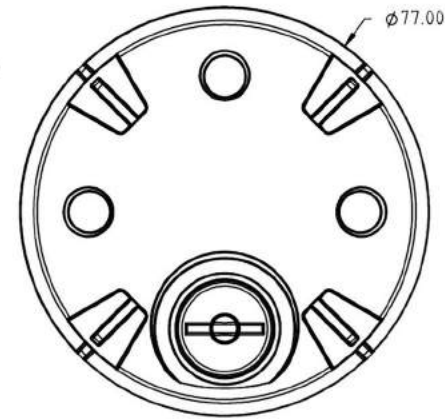
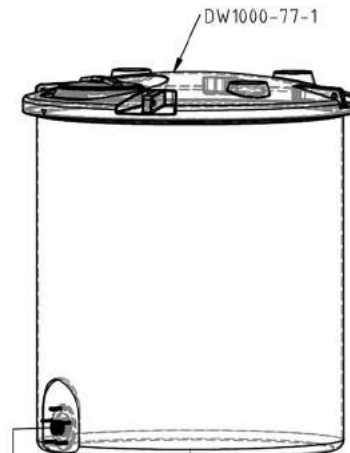
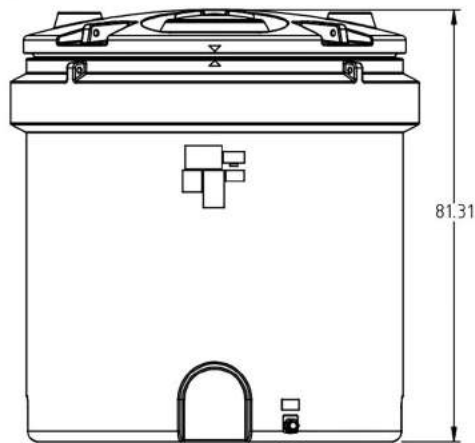
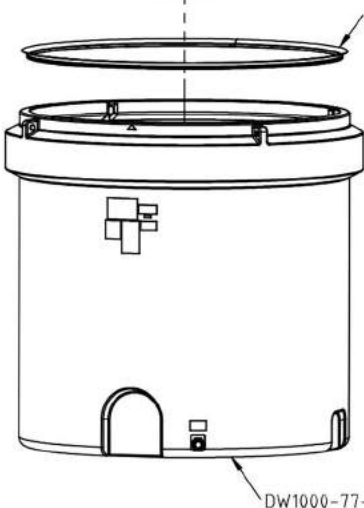
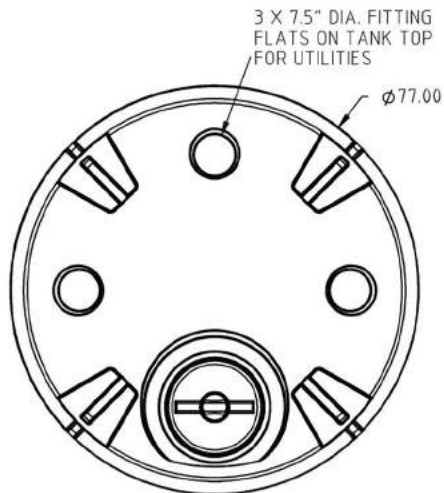
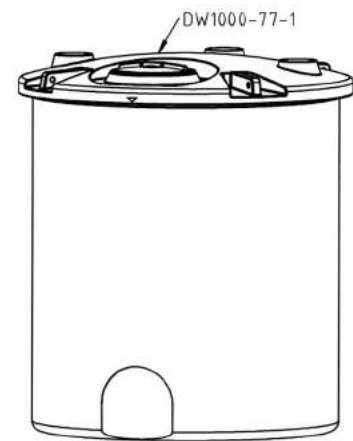


© DEN HARTOG INDUSTRIES, INC.

Copyright: All information furnished within this document, electronic file or design correspondence is the property of Den Hartog industries, Inc. and shall not be used, disclosed to others or copied without the expressed written consent of Den Hartog industries, Inc.

STANDARD TANK ASSEMBLY

TANK ASSEMBLY WITH OPTIONAL FITTING



				DRAWN / DATE ADH 8/7/14	MATERIAL SEE NOTE 1.		
				APPRD. / DATE REH 8/22/14			
REV	DESCRIPTION	BY / DATE	CCN				
ALL DIMENSIONS ARE IN DECIMAL INCHES TOLERANCES UNLESS OTHERWISE SPECIFIED		THIRD ANGLE PROJECTION ANSI 14.5M		SHOT WEIGHT:	NOTES: 1.) REFERENCE COMPONENT PRINTS FOR DETAILS 2.) PATENT PENDING	DESCRIPTION 1000 GALLON DUAL LINE™ TANK ASSEMBLY	
POLYETHYLENE ±1% @ 68°F				SHIPPING WEIGHT: STANDARD = 522 LBS.		SCALE N.S.	PART NO.
METAL DECIMAL ± .125" FRACTION ± 1/4" ANGLE ± 1°				FINISH:			

DWA1000

(866) 776-8265

PROTANK

sales@protank.com