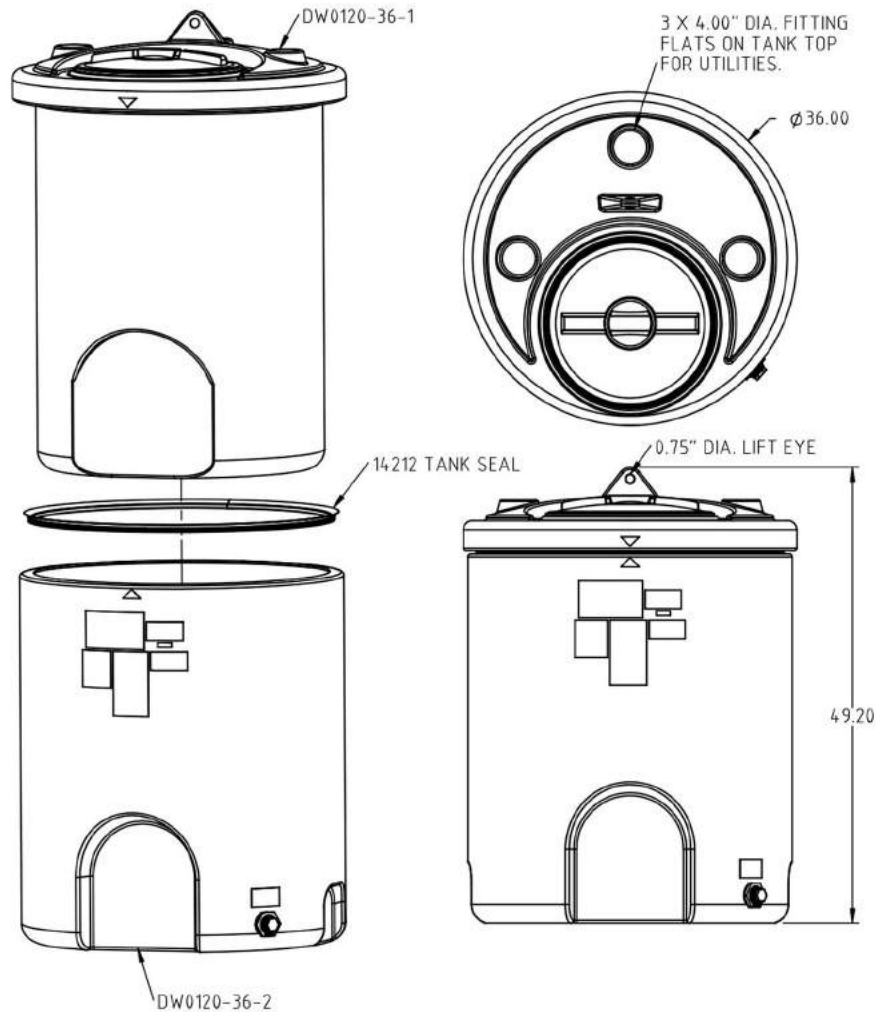


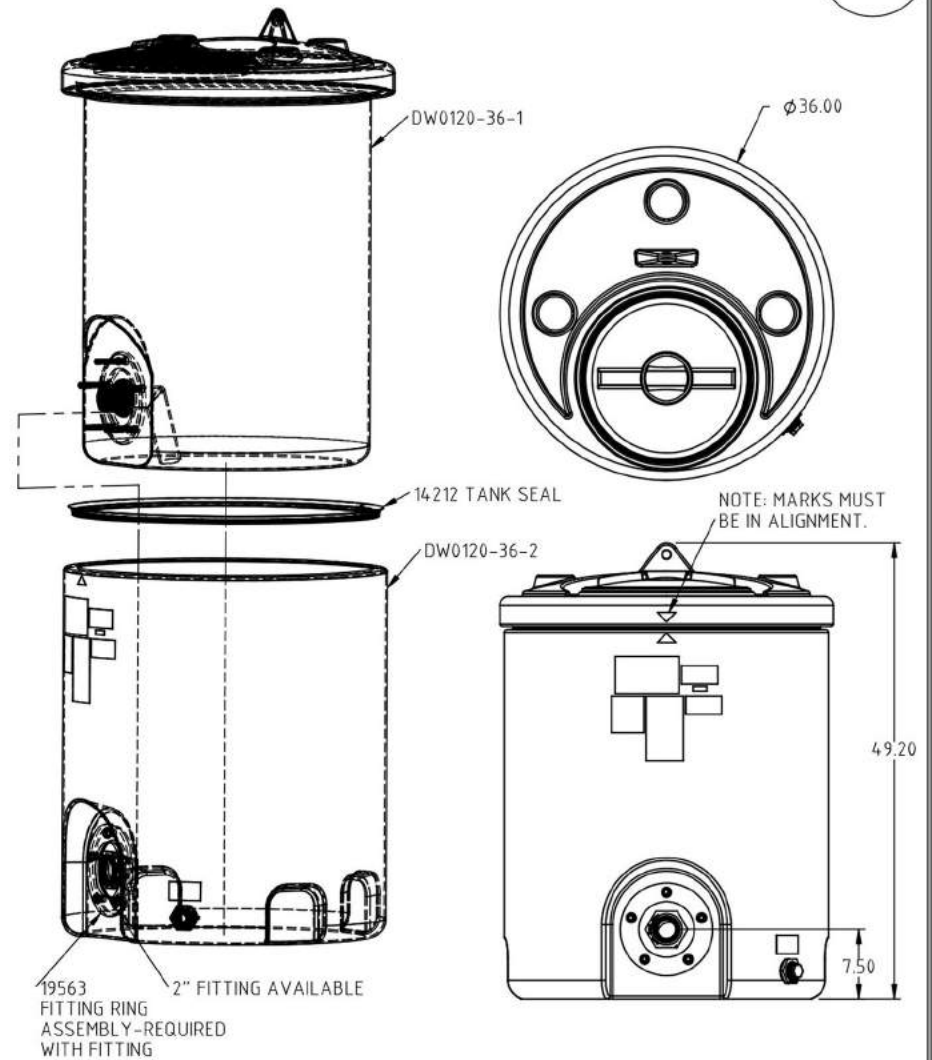
© DEN HARTOG INDUSTRIES, INC.

Copyright. All information furnished within this document, electronic file or design correspondence is the property of Den Hartog Industries, Inc. and shall not be used, disclosed to others or copied without the expressed written consent of Den Hartog Industries, Inc.

STANDARD TANK ASSEMBLY



TANK ASSEMBLY WITH OPTIONAL FITTING



				DRAWN / DATE ADH 8/28/14	MATERIAL SEE NOTE 1		
				APPRD. / DATE REH 2/13/15			
REV	DESCRIPTION	BY / DATE	CCN				
ALL DIMENSIONS ARE IN DECIMAL INCHES TOLERANCES UNLESS OTHERWISE SPECIFIED		THIRD ANGLE PROJECTION ANSI 14.5M		NOTES: 1.) REFERENCE COMPONENT PRINTS FOR DETAILS 2.) PATENT PENDING		DESCRIPTION 120 GALLON DUAL LINE™ TANK ASSEMBLY	
POLYETHYLENE		METAL		SHIPPING WEIGHT: 81 LBS. (STANDARD)		SCALE N.S.	PART NO.
±1% @ 68°F		DECIMAL ± .125" FRACTION ± 1/4" ANGLE ± 1°		FINISH:			

DWA120

(866) 776-8265

PROTANK

sales@protank.com