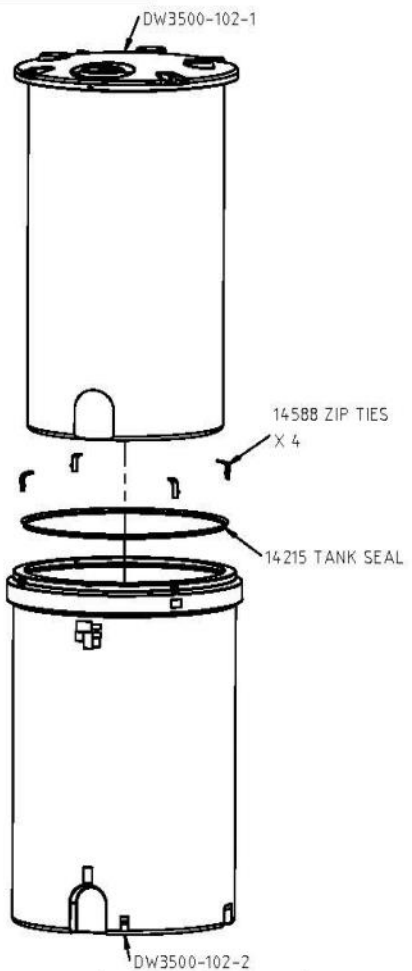
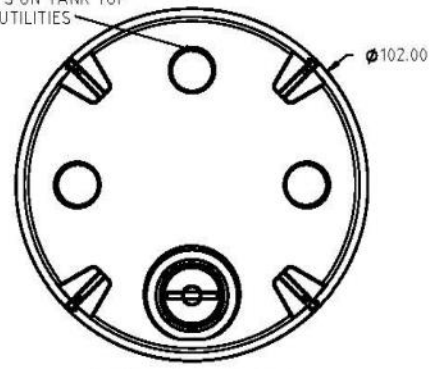


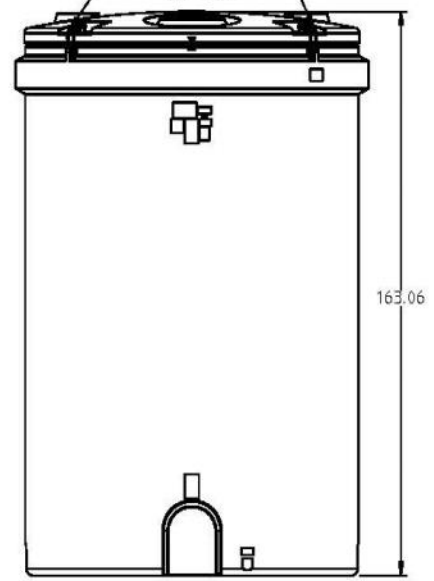
**IMPORTANT!**  
NEVER FILL ABOVE THE ADVERTISED CAPACITY OF TANK.  
FAILURE TO HEED MAY EXCEED THE RATED CAPACITY  
OF THE OUTER CONTAINMENT TANK.



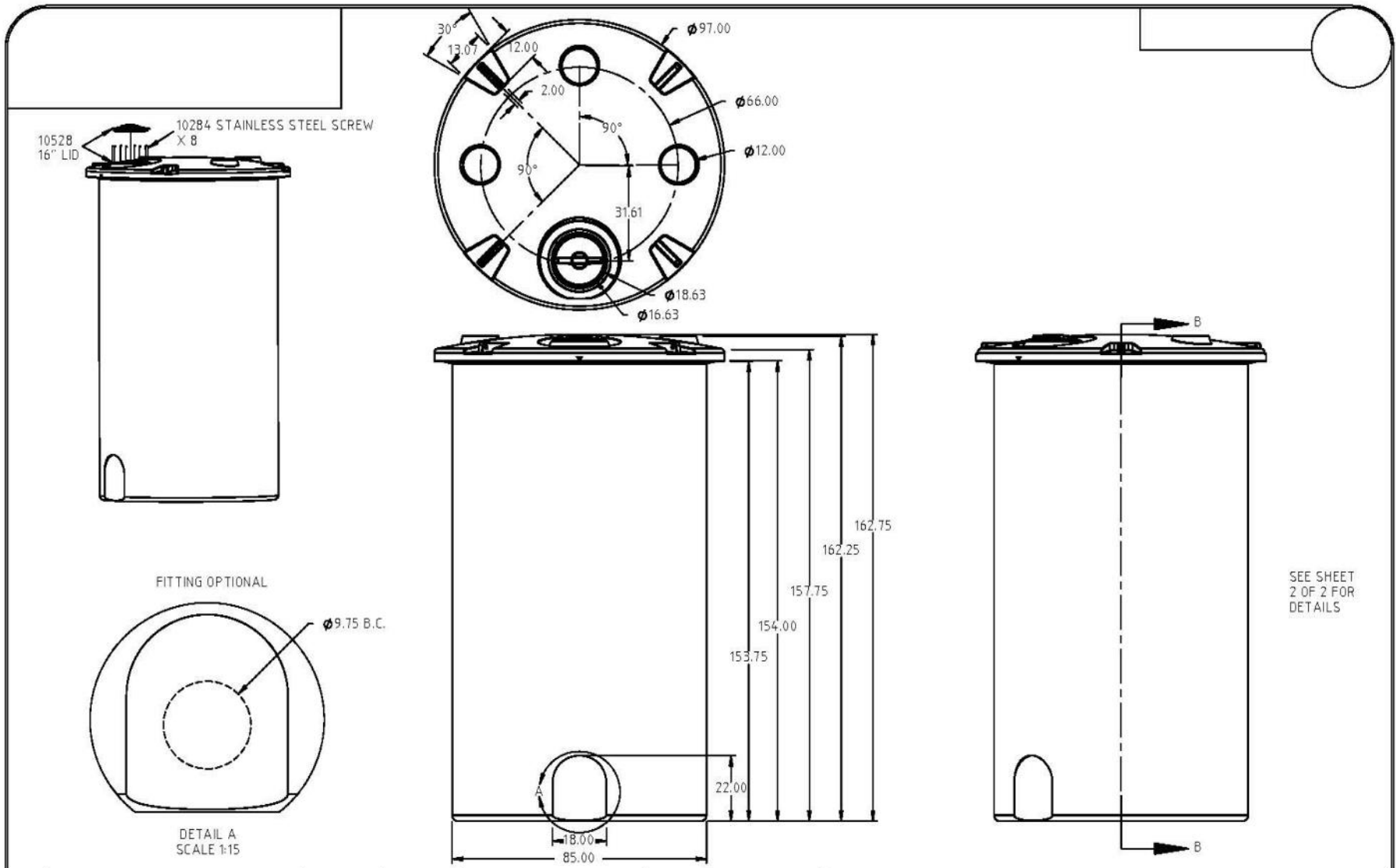
3 X 12.00" DIA. FITTING  
FLATS ON TANK TOP  
FOR UTILITIES



SECURE TANKS THROUGH  
LIFTING LUGS USING  
ZIP TIES

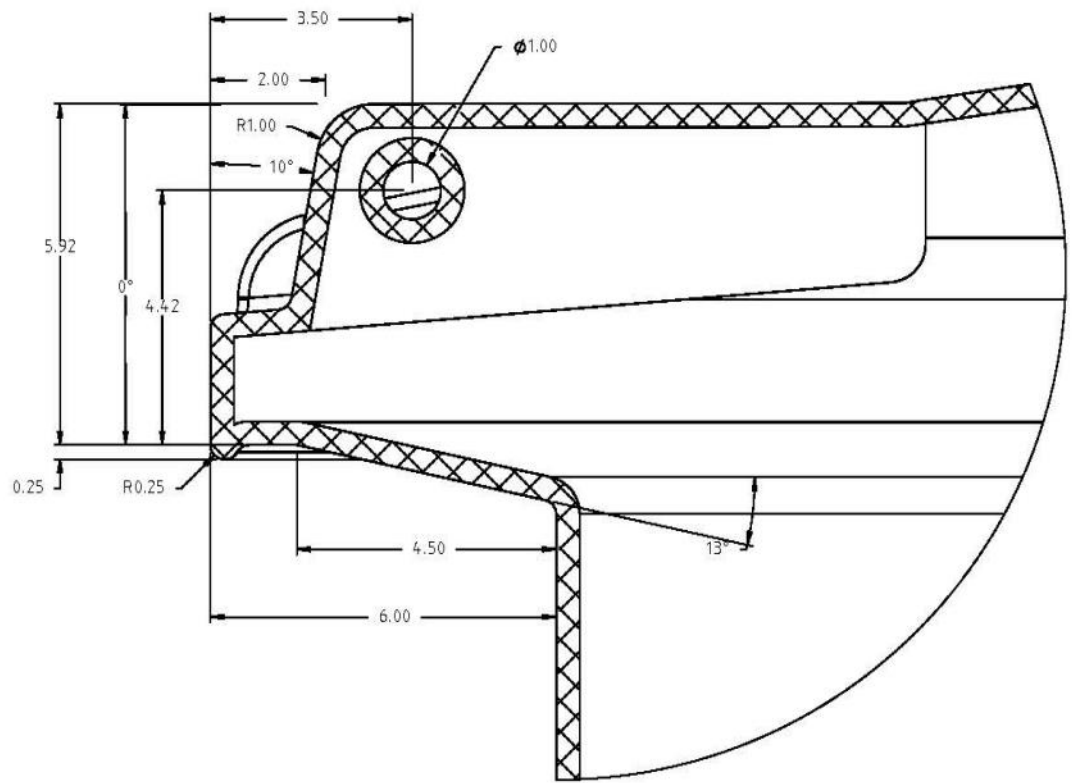


				DRAWN / DATE ADH 10/23/14	MATERIAL  SEE NOTE 1	DESCRIPTION 3500 GALLON DUAL LINE™ TANK ASSEMBLY
				APPRD. / DATE REH 6/12/19		
REV	DESCRIPTION	BY / DATE	CCN	SHOT WEIGHT:	NOTES: 1.) REFERENCE COMPONENT PRINTS FOR DETAILS 2.) PATENT 9,162,816	SCALE N.S.
				SHIPPING WEIGHT: 1707.00 LBS.		
ALL DIMENSIONS ARE IN DECIMAL INCHES TOLERANCES UNLESS OTHERWISE SPECIFIED		THIRD ANGLE PROJECTION ANSI W.5M		FINISH:		
POLYETHYLENE ±1% @ 68°F		METAL DECIMAL ± .125" FRACTION ± 1/4" ANGLE ± 1°				

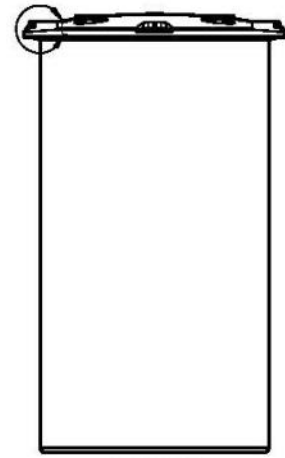


SEE SHEET  
2 OF 2 FOR  
DETAILS

REV		DESCRIPTION		BY / DATE	CCN	DRAWN / DATE ADH 3/11/14	MATERIAL 10420	DESCRIPTION 3500 GALLON DUAL LINE™ TANK-INNER TANK-1 OF 2	
APPRD. / DATE REH 6/12/19		ALL DIMENSIONS ARE IN DECIMAL INCHES TOLERANCES UNLESS OTHERWISE SPECIFIED		THIRD ANGLE PROJECTION ANSI 1:5M		SHOT WEIGHT: 900.00 LBS	NOTES: 1.) 0.410 NOM. WALL THICKNESS 2.) PATENT 9,162,816		
POLYETHYLENE ±1% @ 68°F		METAL DECIMAL ± .125" FRACTION ± 1/4" ANGLE ± 1°				SHIPPING WEIGHT: 902.00 LBS	FINISH:		

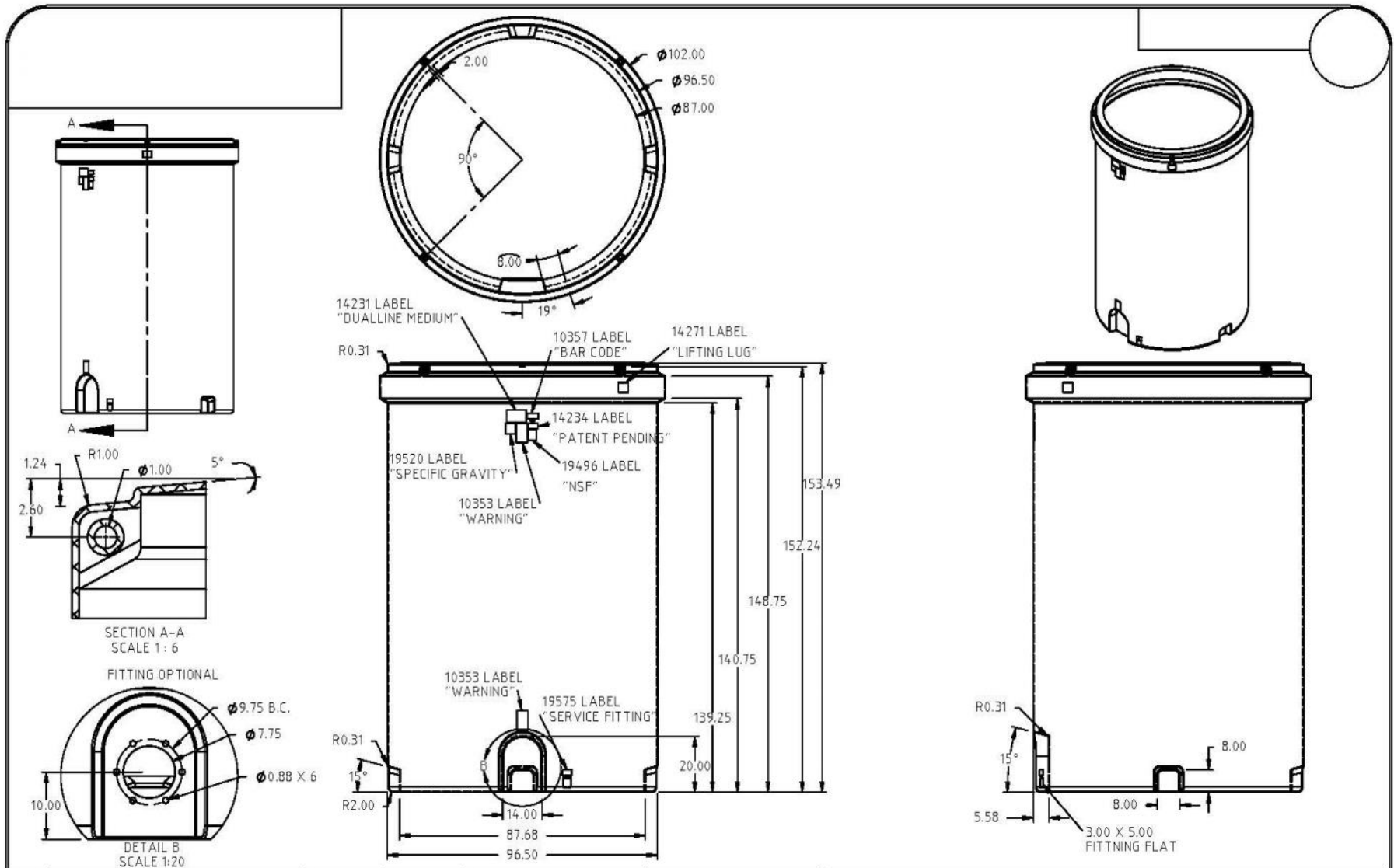


DETAIL C  
SCALE 1: 3



SECTION B-B

				DRAWN / DATE ADH 3/11/14	MATERIAL	
				APPRD. / DATE REH 6/12/19		
REV	DESCRIPTION	BY / DATE	CCN			
ALL DIMENSIONS ARE IN DECIMAL INCHES TOLERANCES UNLESS OTHERWISE SPECIFIED		THIRD ANGLE PROJECTION ANSI X.501		SHOT WEIGHT:	NOTES:	DESCRIPTION 3500 GALLON DUAL LINETM TANK-INNER TANK- 2 OF 2
POLYETHYLENE ±1% @ 68°F		METAL DECIMAL ± .125" FRACTION ± 1/4" ANGLE ± 1°		SHIPPING WEIGHT:	1.) PATENT PENDING	SCALE N.S.
				FINISH:		PART NO.



				DRAWN / DATE ADH 3/10/14	MATERIAL	
				APPRD. / DATE REH 6/12/19	10420	
REV	DESCRIPTION	BY / DATE	CCN			
	ALL DIMENSIONS ARE IN DECIMAL INCHES TOLERANCES UNLESS OTHERWISE SPECIFIED			SHOT WEIGHT: 850.00 LBS.	NOTES: 1.) 0.310 NOM. WALL THICKNESS 2.) PATENT 9,162,816	DESCRIPTION 3500 GALLON DUAL LINE™ TANK- OUTER TANK
	POLYETHYLENE ±1% @ 68°F			SHIPPING WEIGHT: 807.00 LBS.		SCALE N.S.
	METAL DECIMAL ± .125" FRACTION ± 1/4" ANGLE ± 1°			FINISH:		PART NO.