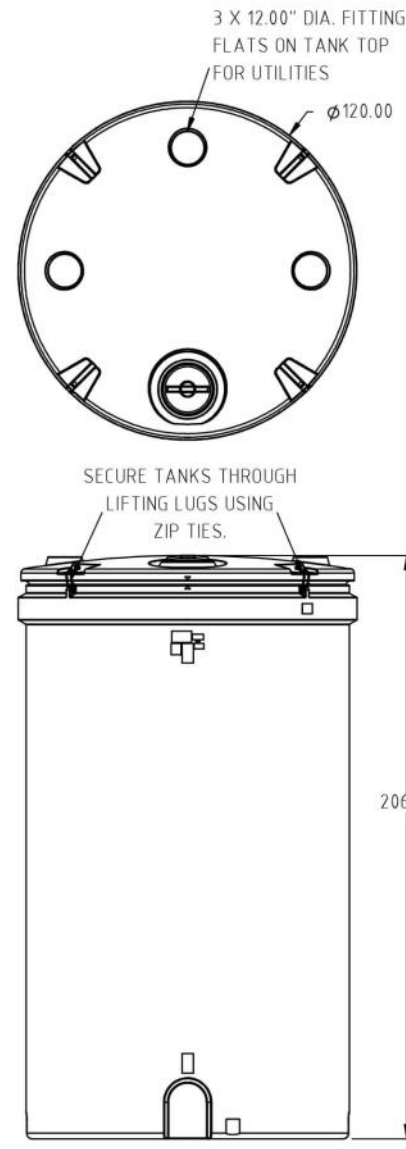
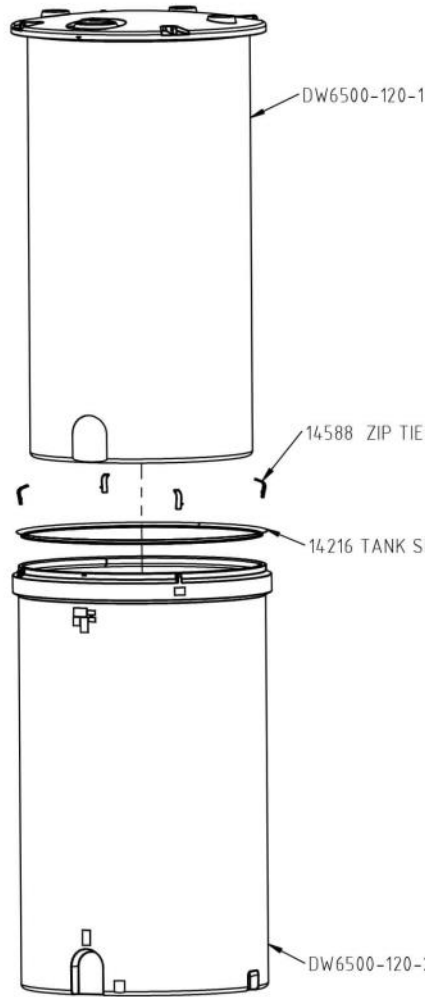


**IMPORTANT!**  
NEVER FILL ABOVE THE ADVERTISED CAPACITY OF TANK  
FAILURE TO HEED MAY EXCEED THE RATED CAPACITY  
OF THE OUTER CONTAINMENT TANK.



				DRAWN / DATE ADH 1/26/15	MATERIAL  SEE NOTE 1	DESCRIPTION 6500 GALLON DUAL LINE™ TANK ASSEMBLY	
				APPRD. / DATE REH 3/3/16			
REV	DESCRIPTION	BY / DATE	CCN				
ALL DIMENSIONS ARE IN DECIMAL INCHES TOLERANCES UNLESS OTHERWISE SPECIFIED		THIRD ANGLE PROJECTION ANSI 14.5M		SHOT WEIGHT:	NOTES: 1.) REFERENCE COMPONENT PRINTS FOR DETAILS 2.) PATENT 9,162,816	SCALE	PART NO.
POLYETHYLENE ±1% @ 68°F		METAL DECIMAL ± .125" FRACTION ± 1/4" ANGLE ± 1°		SHIPPING WEIGHT: STANDARD 3152.00 LBS.		N.S.	DW6500-120
		FINISH:					