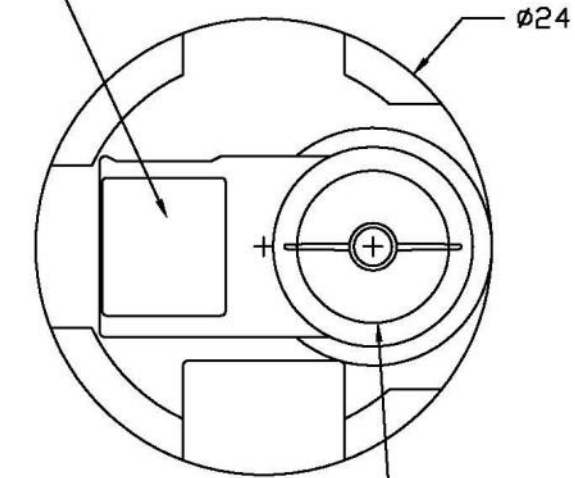
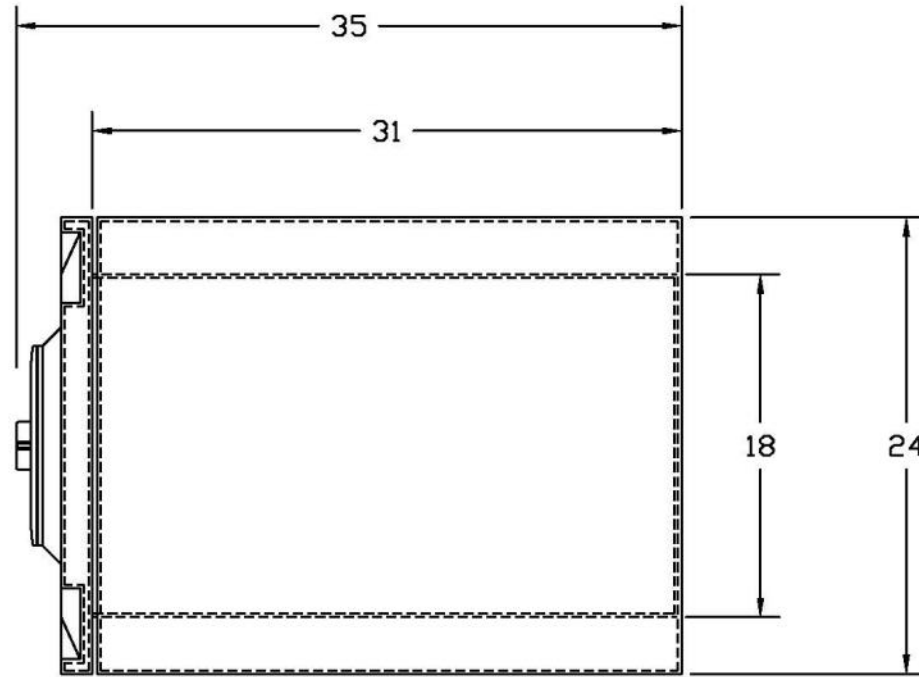


PUMP AREA
6-1/2"x7-1/4"x1/4"D



$\phi 8$ ACCESS COVER



Rev.	Date	File Name	
		Date 2/25/11	Scale NONE
		Drawn By: JIM B.	Cust. Rep.
TITLE		35 Gallon Tank	
Part #		Dwg. #	