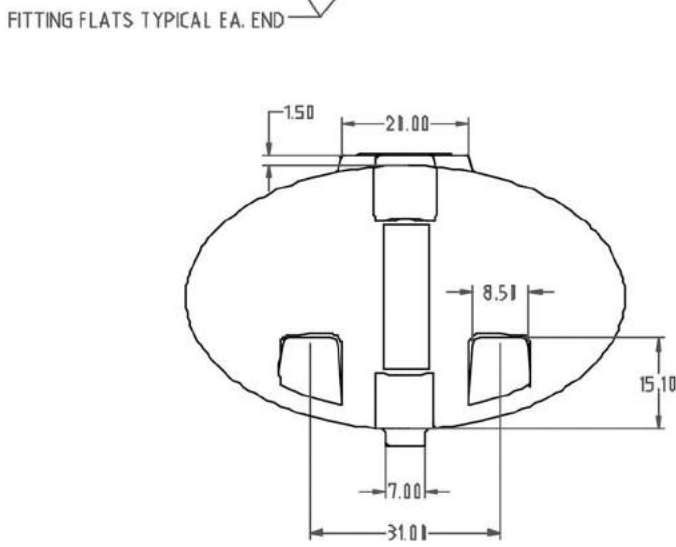
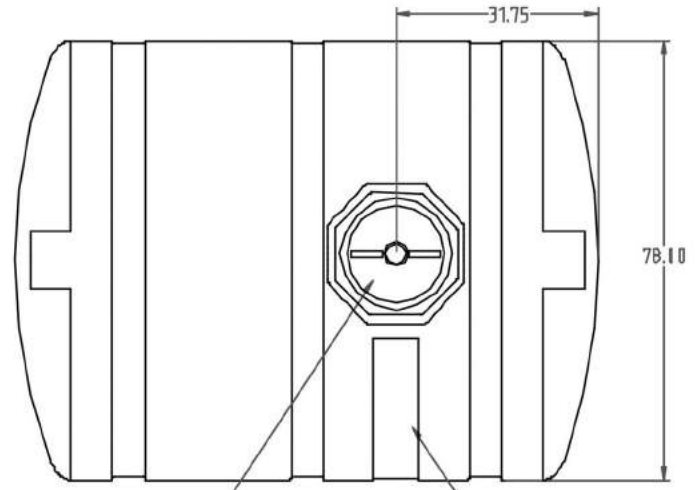
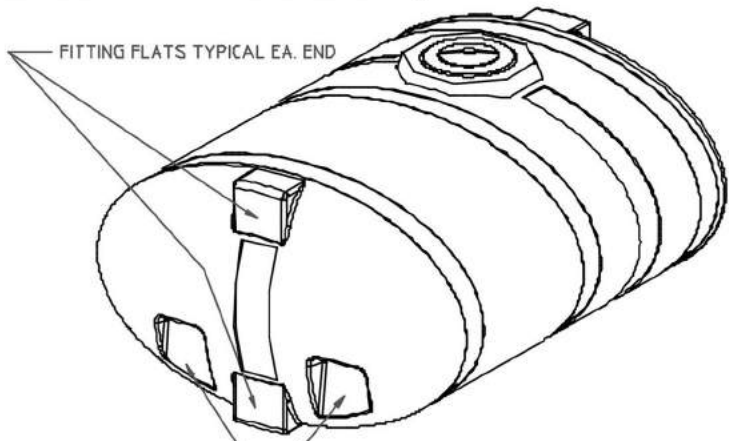
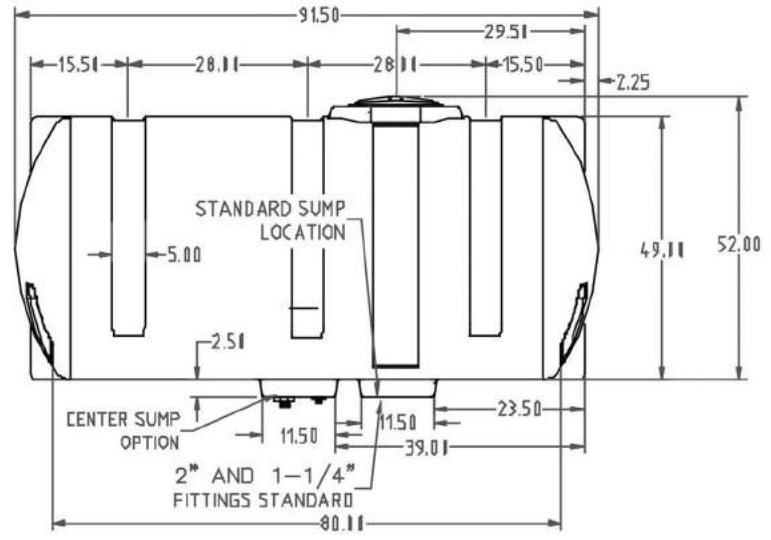


PROPRIETARY DATA

PROPERTY OF ACE ROTO-MOLD MFG., INC. INFORMATION FURNISHED HEREIN IS THE PROPERTY OF ACE ROTO-MOLD MFG., INC. AND SHALL NOT BE USED, DISCLOSED TO OTHERS, OR COPIED WITHOUT THE EXPRESSED WRITTEN CONSENT OF ACE ROTO-MOLD MFG., INC. ALL RIGHTS RESERVED.



STANDARD LID IS 16" GALLON / LITER INDICATORS ONE SIDE AND ONE END GALLON CALIBRATIONS ARE IN 50 GAL. INCREMENTS



		DRAWN / DATE		MATERIAL / SHOT WEIGHT				CLIENT / DESCRIPTION	
B	UPDATE DIM	4/28/16	REH/2/14/02	M111	M134	U625	P938		
A	UPDATE WEIGHT	2/2/06	APPRD. / DATE	NOTES:				ACE 1000 GALLON ELLIPTICAL TANK	
REV	DESCRIPTION	DATE	APPRD						
ALL DIMENSIONS ARE IN DECIMAL INCHES TOLERANCES UNLESS OTHERWISE SPECIFIED ± .5% @ 68° F				THIRD ANGLE PROJECTION ANSI 14.3M 		1. .330 NOMINAL WALL			
						SCALE		PART NO.	
						N.S.			