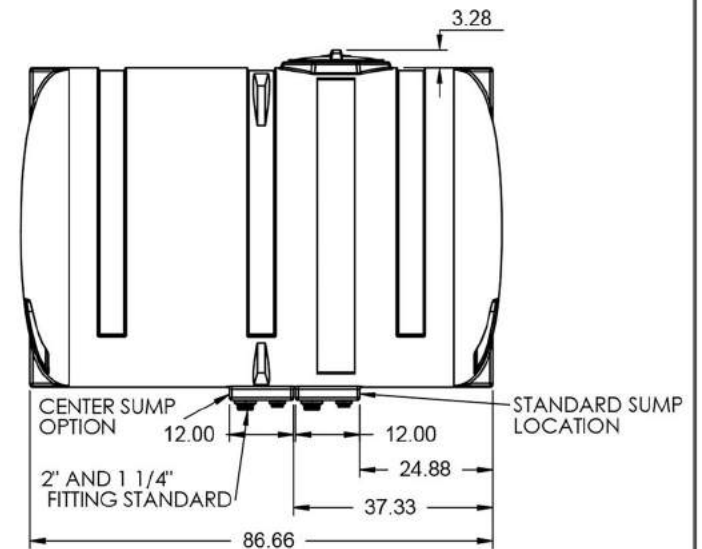
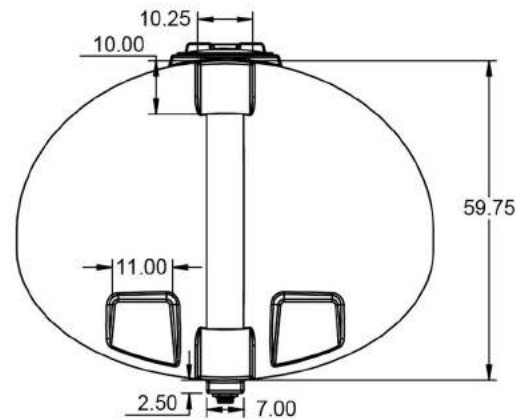
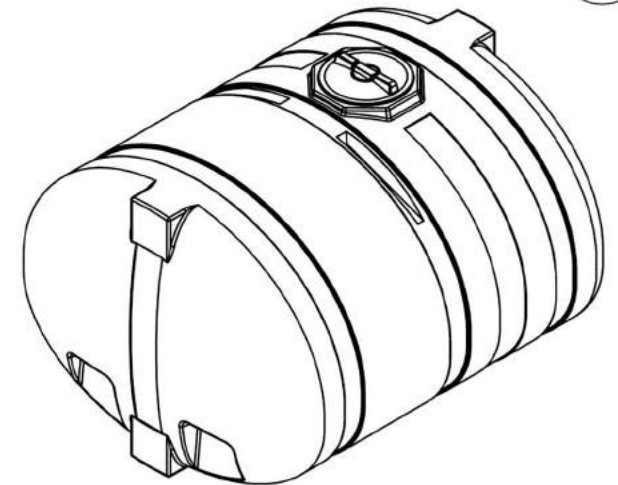
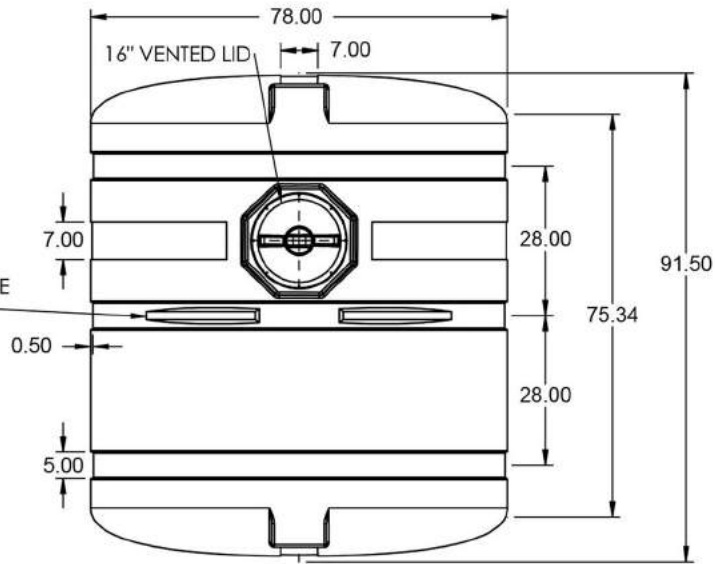


Copyright. All information furnished within this document, electronic file or design correspondence is the property of Den Hartog industries, Inc. and shall not be used, disclosed to others or copied without the expressed written consent of Den Hartog Industries, Inc.

SEE PRINT HE1250-BAF FOR BAFFLE INSTALLATION INSTRUCTIONS



				DRAWN / DATE ADH 8/12/08	MATERIAL 1.) POWDER, 3 MELT (10420)	
				APPRD. / DATE REH 8/14/08		
REV	DESCRIPTION	BY / DATE	CCN	SHOT WEIGHT: 370LBS	NOTES: 1.) 0.400 NOMINAL WALL	DESCRIPTION 1250 GALLON ELLIPTICAL TANK-SHALLOW SUMP
ALL DIMENSIONS ARE IN DECIMAL INCHES TOLERANCES UNLESS OTHERWISE SPECIFIED		THIRD ANGLE PROJECTION ANSI 14.5M		SHIPPING WEIGHT:		SCALE N.S.
POLYETHYLENE ±1% @ 68°F				FINISH:		PART NO.
METAL DECIMAL ± .125" FRACTION ± 1/4" ANGLE ± 1°						