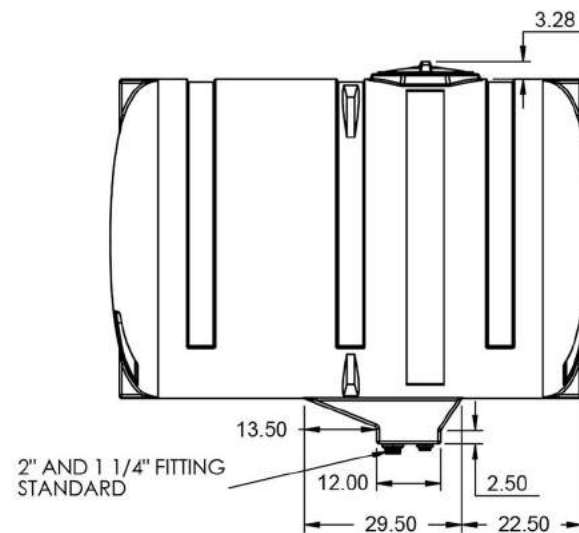
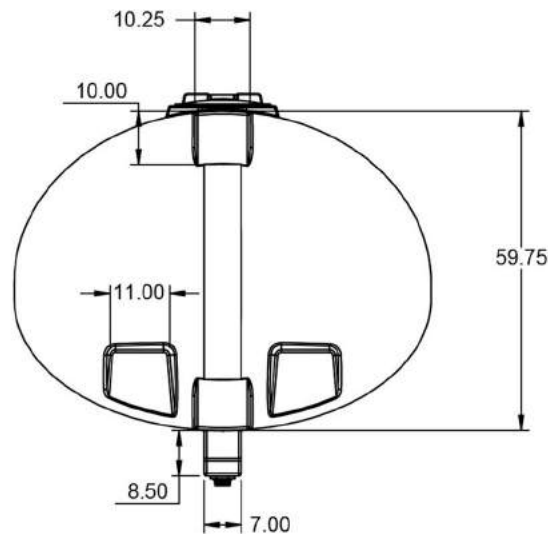
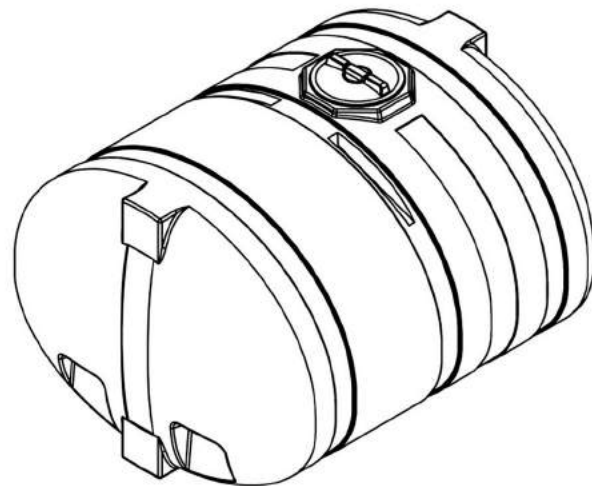
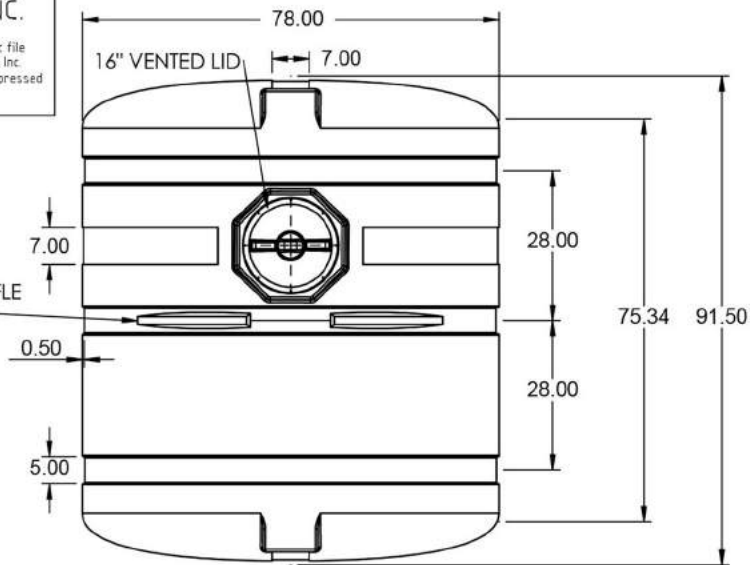


Copyright. All information furnished within this document, electronic file or design correspondence is the property of Den Hartog industries, Inc. and shall not be used, disclosed to others or copied without the expressed written consent of Den Hartog Industries, Inc.

SEE PRINT HED250-BAF FOR BAFFLE INSTALLATION INSTRUCTIONS



2" AND 1 1/4" FITTING STANDARD

				DRAWN / DATE REH 10/2/07	MATERIAL	
				APPRD. / DATE REH 8/14/08	1) POWDER, 3 MELT (10420)	
REV	DESCRIPTION	BY / DATE	CCN			
ALL DIMENSIONS ARE IN DECIMAL INCHES TOLERANCES UNLESS OTHERWISE SPECIFIED		THIRD ANGLE PROJECTION ANSI 14.5M		SHOT WEIGHT: 370 LBS	NOTES:	DESCRIPTION 1250 GALLON ELLIPTICAL TANK DEEP SUMP
POLYETHYLENE ±1% @ 68°F		METAL DECIMAL ± .125" FRACTION ± 1/4" ANGLE ± 1°		SHIPPING WEIGHT:	1.) 0.400 NOMINAL WALL	SCALE N.S.
				FINISH:		PART NO.