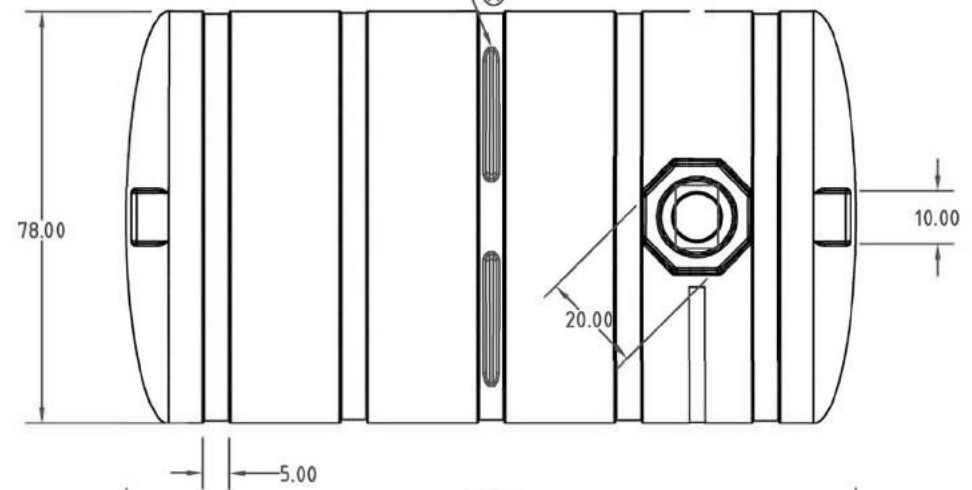


© DEN HARTOG INDUSTRIES, INC.

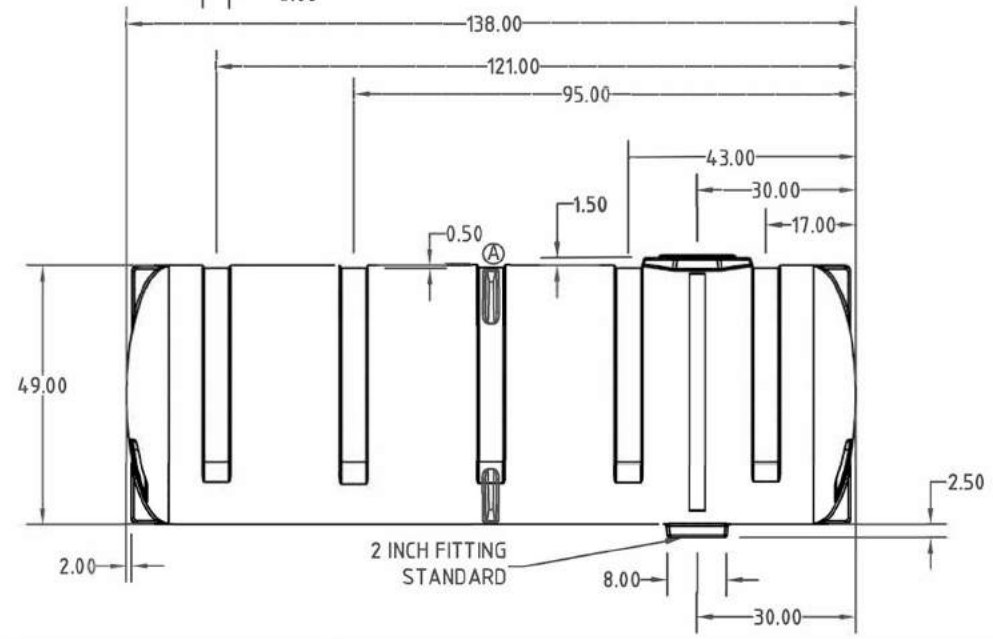
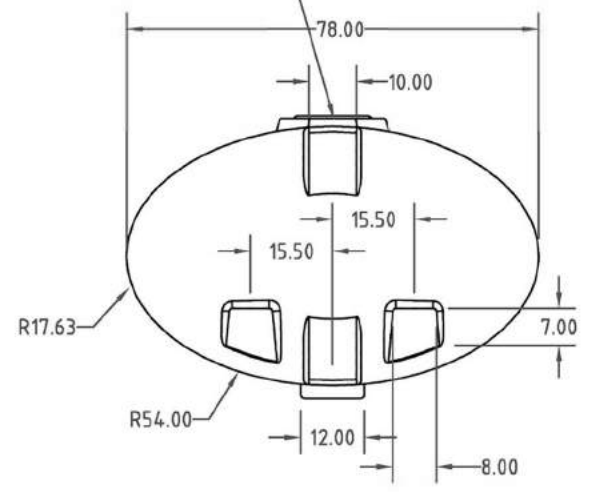
Copyright. All information furnished within this document, electronic file or design correspondence is the property of Den Hartog Industries, Inc. and shall not be used, disclosed to others or copied without the expressed written consent of Den Hartog Industries, Inc.

A

TANK BAFFLES-SEE DRAWING HE1600-BAF FOR ASSEMBLY.



10528 16" LID AND 10534 LANYARD



		DRAWN / DATE REH/8/16/04		MATERIAL / SHOT WEIGHT			
		APPRD. / DATE DHJ/8/16/04		M111	M134 400	U625	P938
REV	DESCRIPTION	DATE	APPRD	CLIENT / DESCRIPTION ACE 1600 GALLON ELLIPTICAL TANK			
ALL DIMENSIONS ARE IN DECIMAL INCHES TOLERANCES UNLESS OTHERWISE SPECIFIED ± .5% @ 68° F				THIRD ANGLE PROJECTION ANSI 14.5M 		NOTES: 1. .335 NOMINAL WALL	
				SCALE N.S.		PART NO.	

ECA1600

(866) 776-8265

PROTANK

sales@protank.com