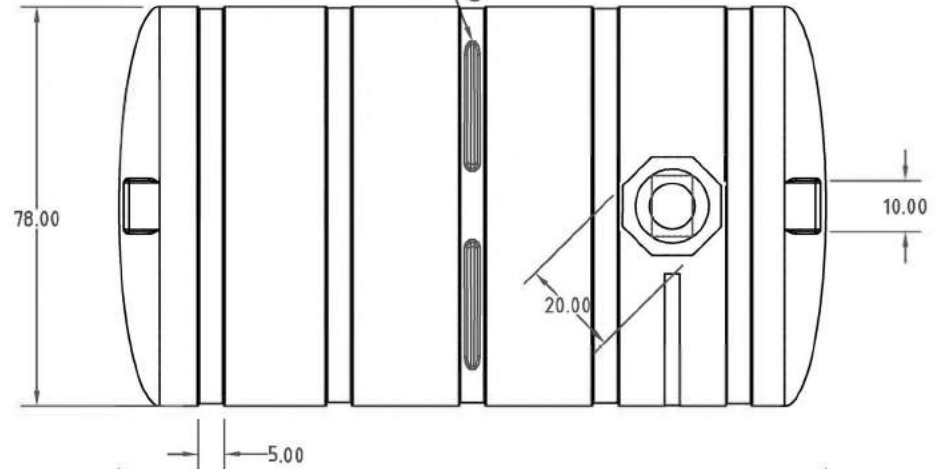


© DEN HARTOG INDUSTRIES, INC.

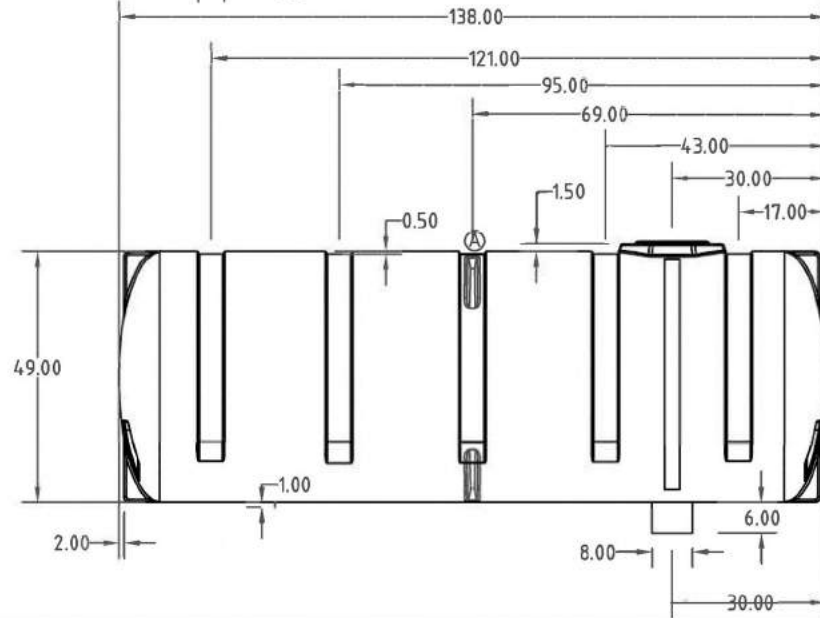
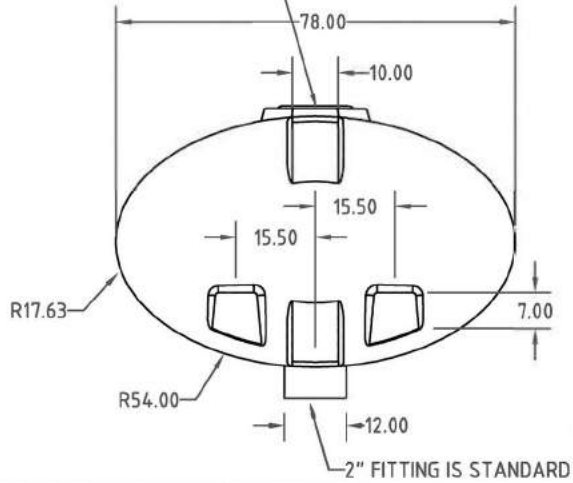
Copyright. All information furnished within this document, electronic file or design correspondence is the property of Den Hartog Industries, Inc. and shall not be used, disclosed to others or copied without the expressed written consent of Den Hartog Industries, Inc.

TANK BAFFLES-SEE DRAWING HE1600-BAF FOR ASSEMBLY.

A



10528 16" LID AND 10534 LANYARD



			DRAWN / DATE REH/8/16/04		MATERIAL / SHOT WEIGHT						
			APPRD. / DATE DHJ/8/10/07		M111	M134	U625	P938	CLIENT / DESCRIPTION		
A	BAFFLE SLOTS ADDED TO PRINT	CCN 1746 ADH 11/10/08				400			1600 GALLON ELLIPTICAL TANK WITH 6 INCH SUMP		
REV	DESCRIPTION	DATE	APPRD		NOTES:				SCALE	PART NO.	
				THIRD ANGLE PROJECTION ANSI 14.5M				1. .335 NOMINAL WALL			
ALL DIMENSIONS ARE IN DECIMAL INCHES TOLERANCES UNLESS OTHERWISE SPECIFIED ± 1% @ 68° F								N.S.			

ECA1600S

(866) 776-8265

PROTANK

sales@protank.com