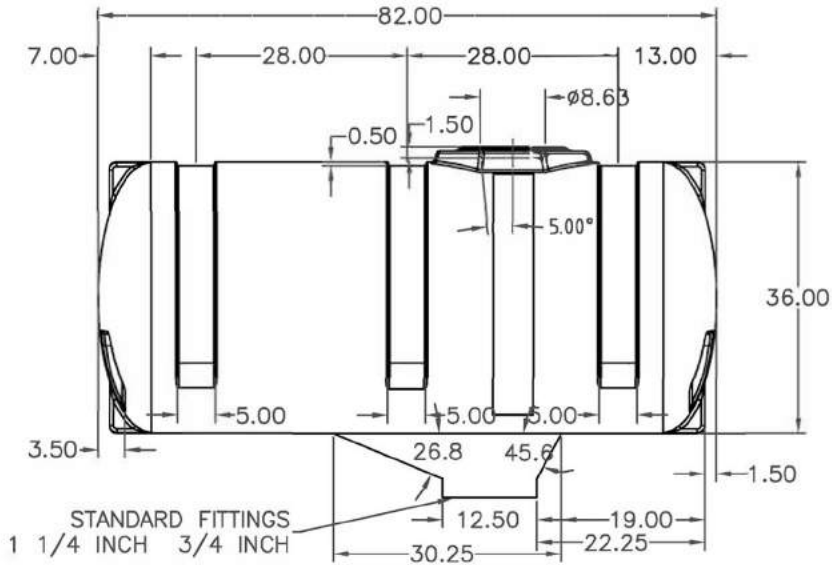
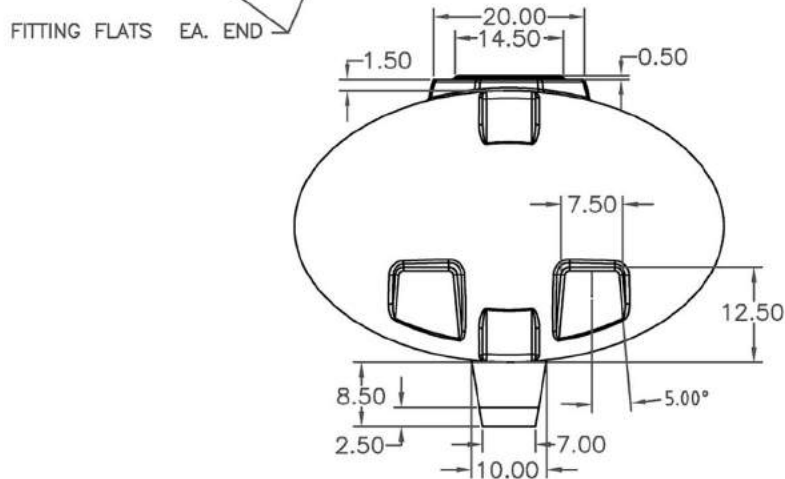
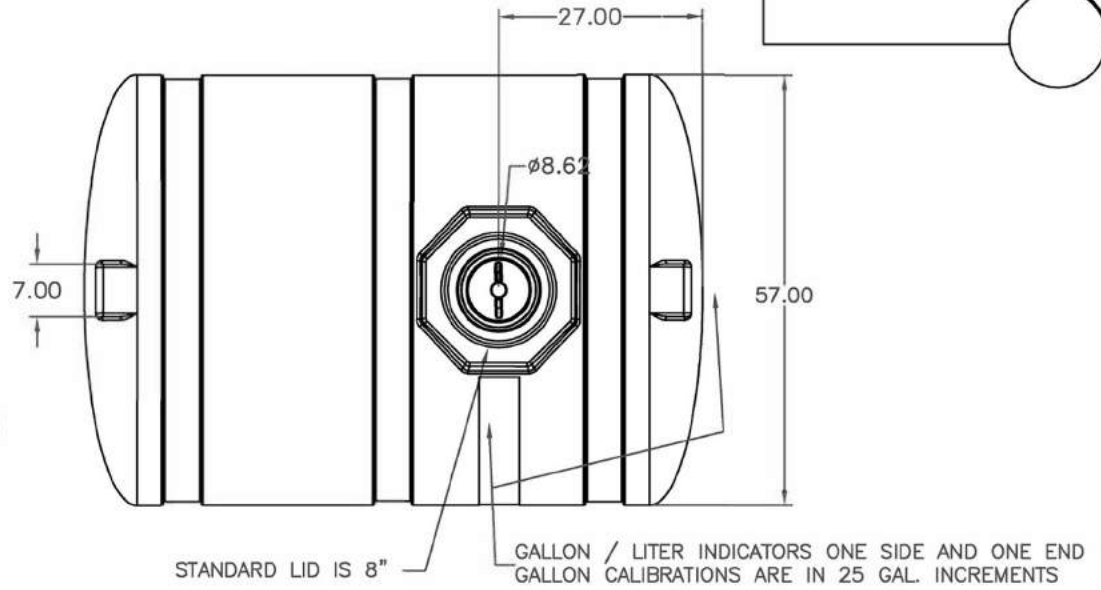
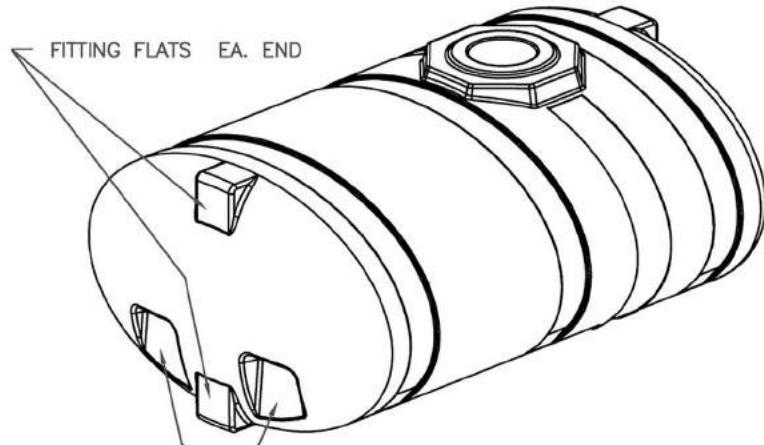


PROPRIETARY DATA

PROPERTY OF ACE ROTO-MOLD MFG., INC. INFORMATION FURNISHED HEREIN IS THE PROPERTY OF ACE ROTO-MOLD MFG., INC. AND SHALL NOT BE USED, DISCLOSED TO OTHERS, OR COPIED WITHOUT THE EXPRESSED WRITTEN CONSENT OF ACE ROTO-MOLD MFG., INC. ALL RIGHTS RESERVED.



			DRAWN / DATE DHJ/6/18/03	MATERIAL / SHOT WEIGHT —		
			APPRD. / DATE ADH/11/12/07	HDPE/165 LB.		
REV	DESCRIPTION	DATE	APPRD	CLIENT / DESCRIPTION		
				ACE 500 GALLON ELLIPTICAL TANK DEEP SUMP		
ALL DIMENSIONS ARE IN DECIMAL INCHES TOLERANCES UNLESS OTHERWISE SPECIFIED ± .5% @ 68° F				THIRD ANGLE PROJECTION ANSI 14.5M 		NOTES: 1. .310 NOMINAL WALL 2. WHITE OR YELLOW COLOR
				SCALE N.S.	PART NO.	