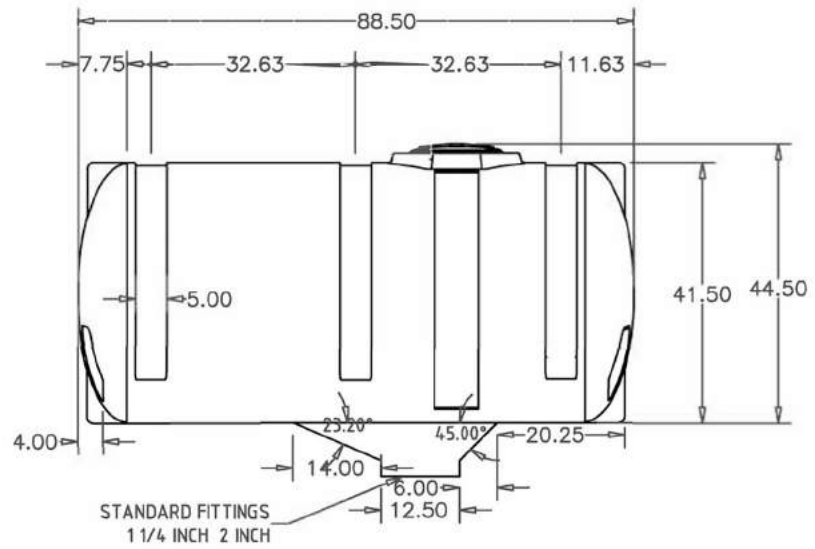
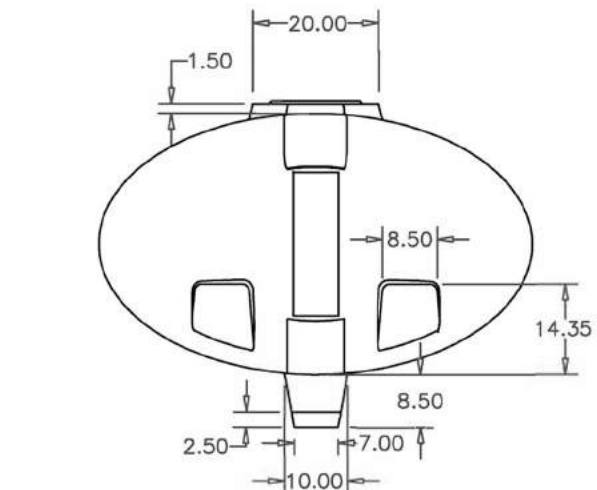
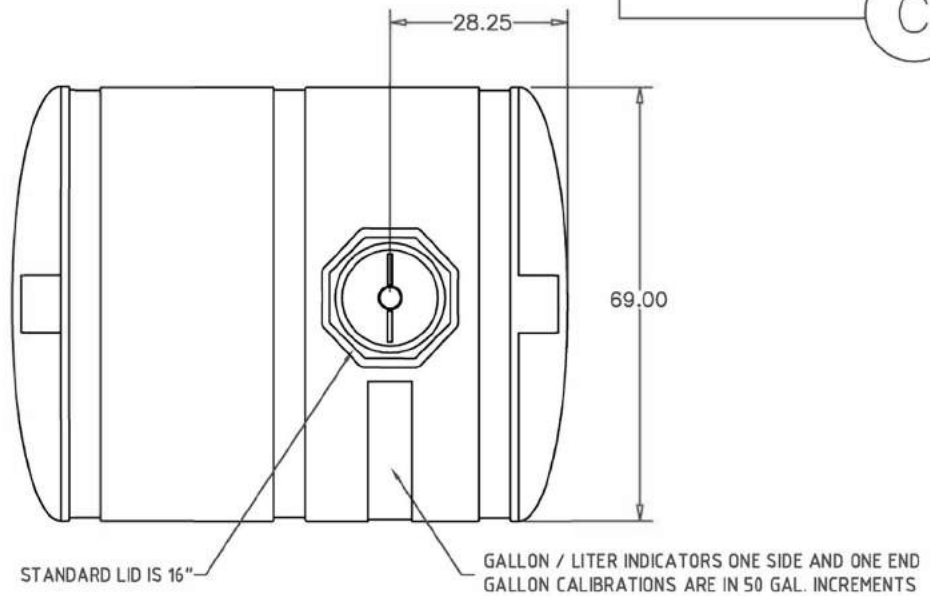
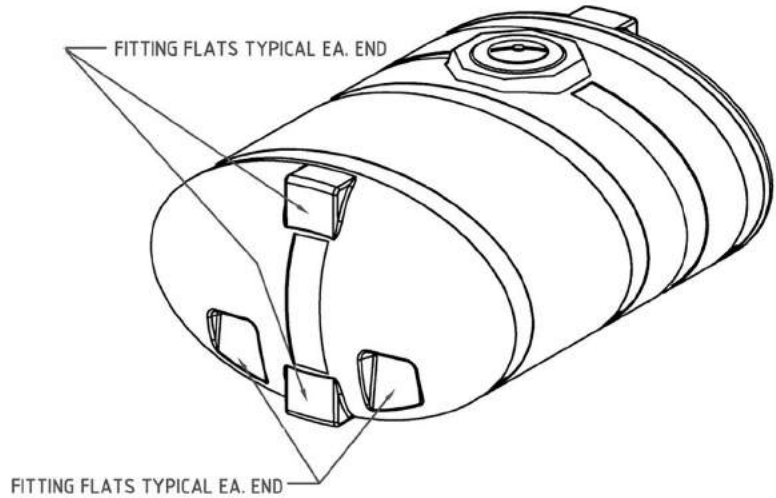


PROPRIETARY DATA

PROPERTY OF ACE ROTO-MOLD MFG., INC. INFORMATION FURNISHED HEREIN IS THE PROPERTY OF ACE ROTO-MOLD MFG., INC. AND SHALL NOT BE USED, DISCLOSED TO OTHERS, OR COPIED WITHOUT THE EXPRESSED WRITTEN CONSENT OF ACE ROTO-MOLD MFG., INC. ALL RIGHTS RESERVED.

C



C	REVISE SUMP DIM.	5\23\05	DRAWN / DATE	MATERIAL / SHOT WEIGHT				CLIENT / DESCRIPTION
B	MOVE SUMP 11" OFF CENTER	7\9\03	REH/2/14/02	M111	M134	U625	P938	
A	ADD LARGE SUMP	7\1\03	APPRD. / DATE	STANDARD FITTINGS				ACE 750 GALLON ELLIPTICAL TANK DEEP SUMP
REV	DESCRIPTION	DATE APPRD	ADH/11/12/07	1 1/4 INCH 2 INCH				
ALL DIMENSIONS ARE IN DECIMAL INCHES TOLERANCES UNLESS OTHERWISE SPECIFIED ± .5% @ 68° F			THIRD ANGLE PROJECTION ANSI 14.5M	NOTES: 1. .330 NOMINAL WALL				SCALE N.S.
							PART NO.	

ECA750S

(866) 776-8265

PROTANK

sales@protank.com