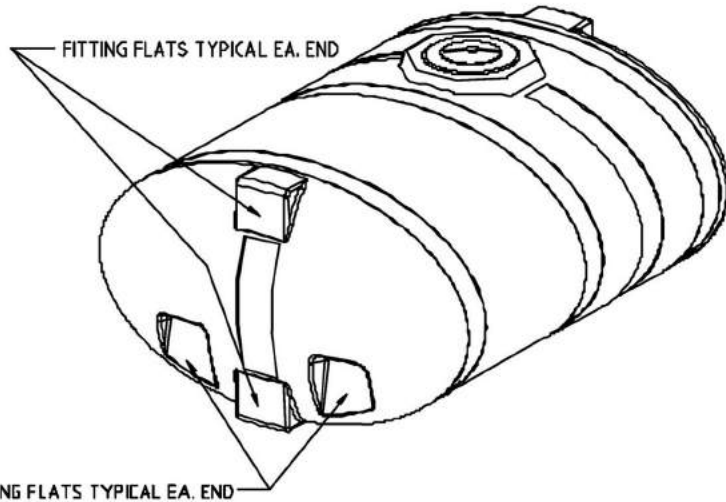
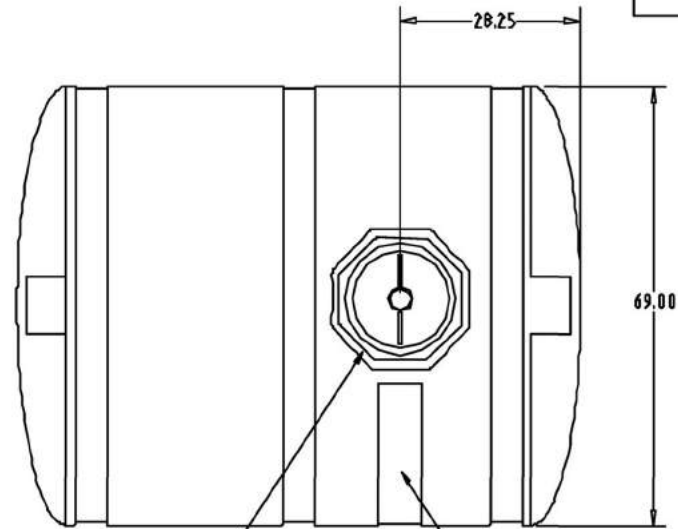
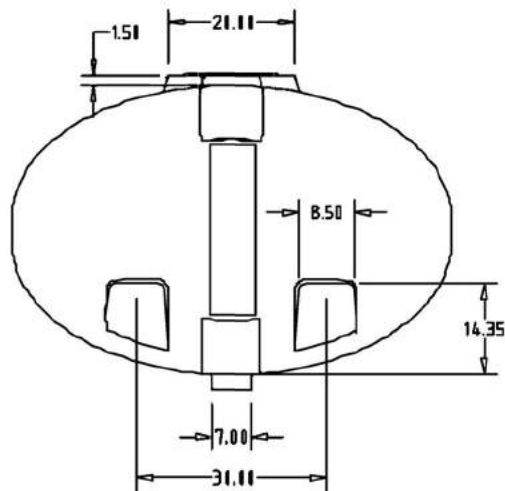


PROPRIETARY DATA

PROPERTY OF ACE ROTO-MOLD MFG., INC. INFORMATION FURNISHED HEREIN IS THE PROPERTY OF ACE ROTO-MOLD MFG., INC. AND SHALL NOT BE USED, DISCLOSED TO OTHERS, OR COPIED WITHOUT THE EXPRESSED WRITTEN CONSENT OF ACE ROTO-MOLD MFG., INC. ALL RIGHTS RESERVED.

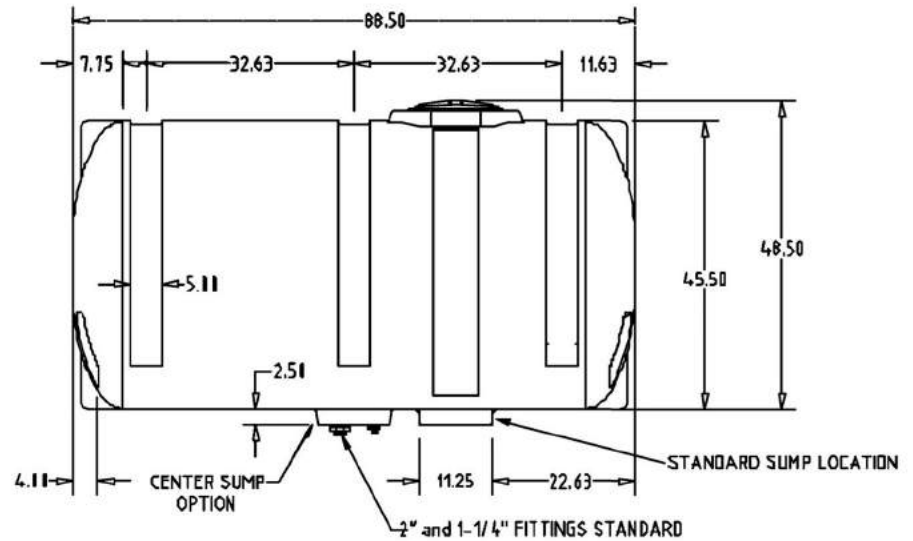


FITTING FLATS TYPICAL EA. END



STANDARD LID IS 16"

GALLON / LITER INDICATORS ONE SIDE AND ONE END
GALLON CALIBRATIONS ARE IN 50 GAL. INCREMENTS



			DRAWN / DATE DHJ/11/18/03		MATERIAL / SHOT WEIGHT 246 LBS. POLYETHYLENE		CLIENT / DESCRIPTION ACE 850 GALLON ELLIPTICAL TANK	
			APPRD. / DATE				SCALE N.S.	
REV	DESCRIPTION	DATE	APPRD.			PART NO.		
ALL DIMENSIONS ARE IN DECIMAL INCHES TOLERANCES UNLESS OTHERWISE SPECIFIED ± .5% @ 68° F				THIRD ANGLE PROJECTION ANSI 14.2M 		NOTES: 1. .330 NOMINAL WALL		

ECA850

(866) 776-8265

PROTANK

sales@protank.com