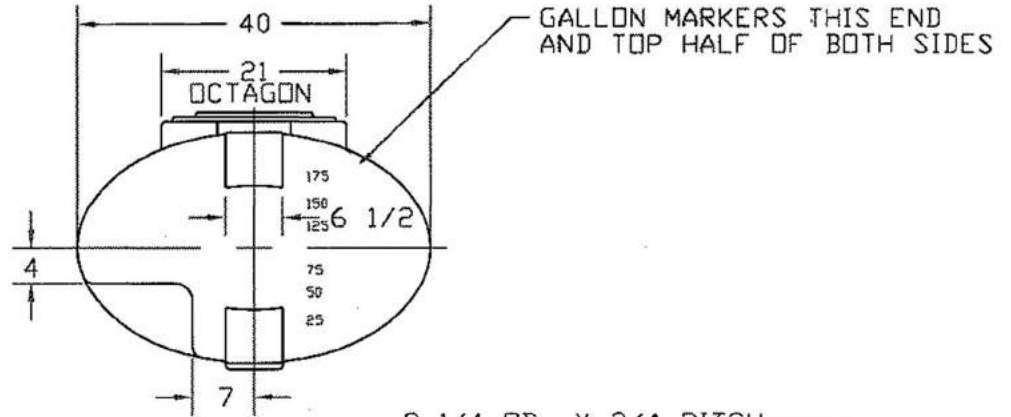
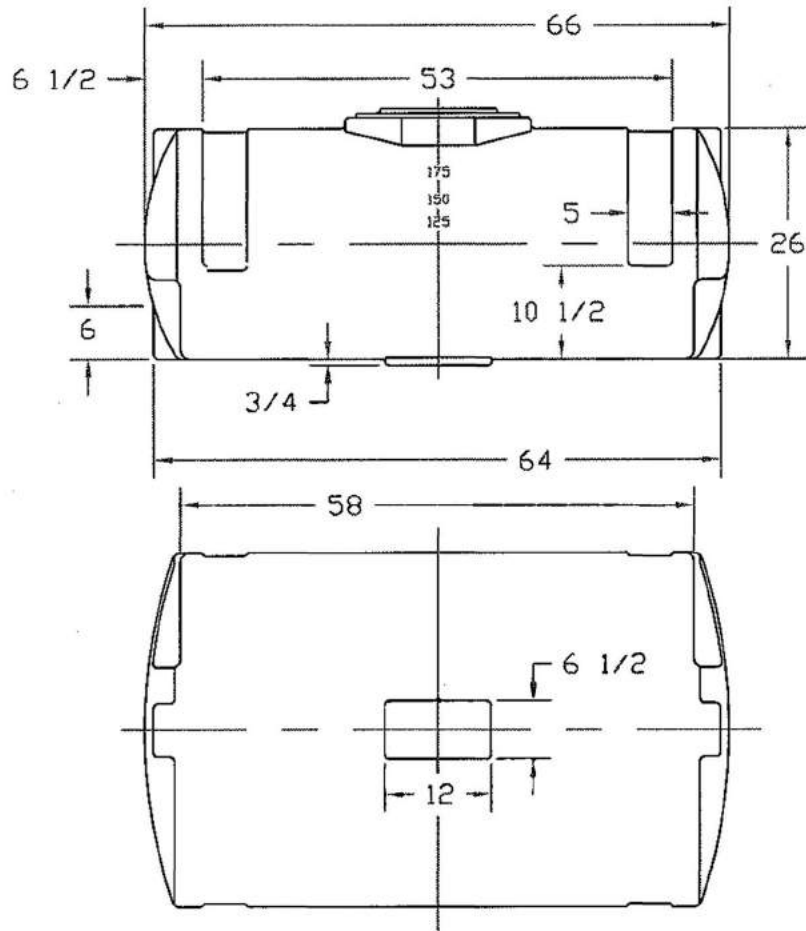
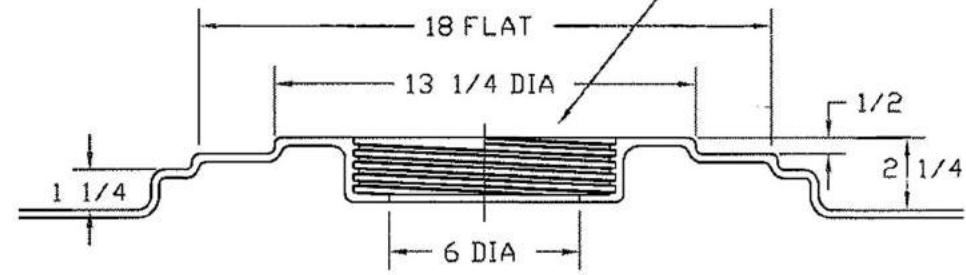


REVISIONS				
ZONE	REV	DESCRIPTION	DATE	APPROVED



8 1/4 DD X 3/4 PITCH
DOUBLE-LEAD ACME THREAD
FOR 60002 LID



FILLWELL DETAIL
1/4 SCALE

		200 GALLON ELLIPTICAL SPRAYER TANK		
JTP	07SEP99	SIZE B	FSCM NO.	DWG NO.
SCALE 1/16		SHEET		